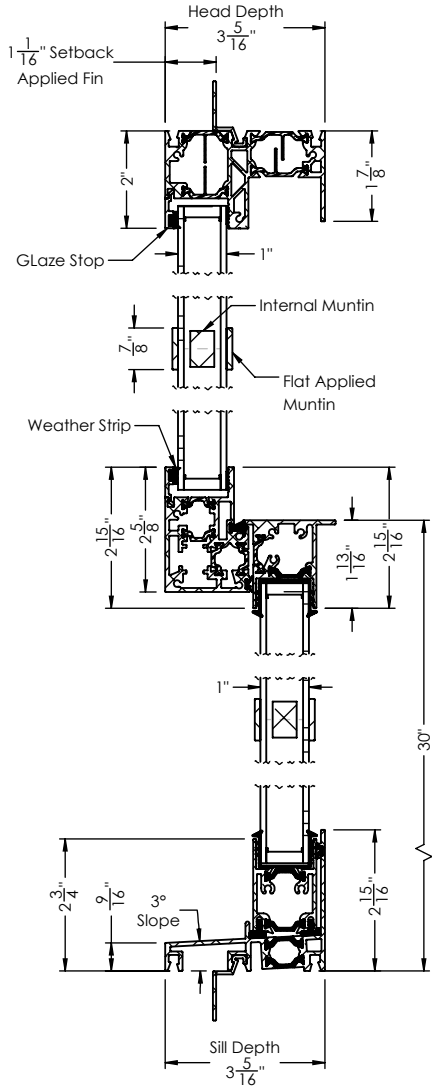
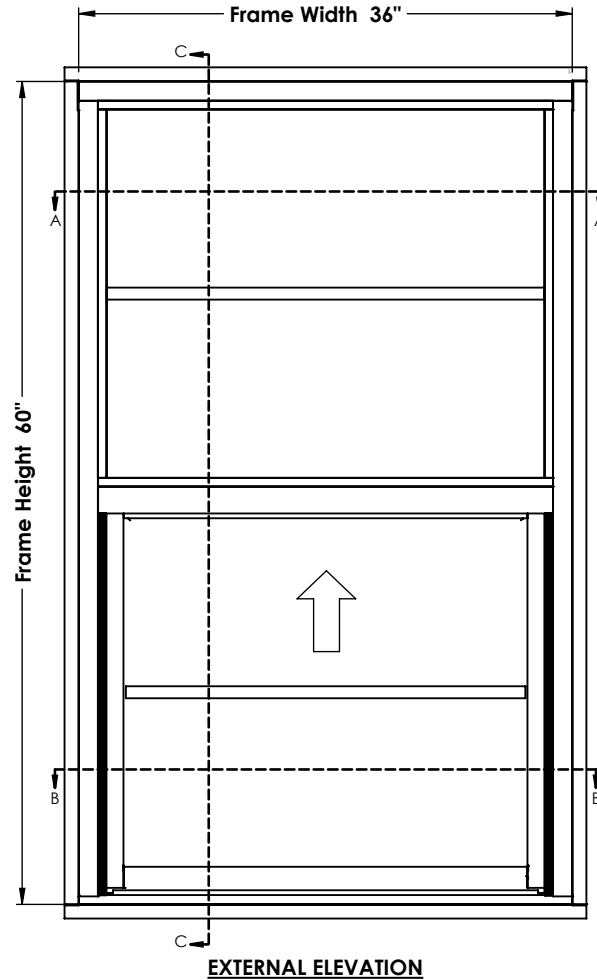


RAM S1100, Single Hung

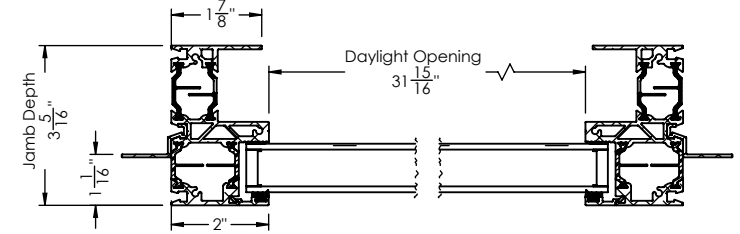
REVISIONS				
ZONE	REV	DESCRIPTION	DATE	APPROVED
	0	Initial Release	11/8/2023	



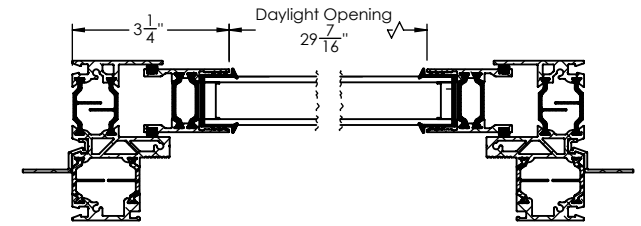
SECTION C-C
SCALE 1 : 4



EXTERNAL ELEVATION



SECTION A-A
SCALE 1 : 4



SECTION B-B
SCALE 1 : 4

PROPRIETARY AND CONFIDENTIAL

THE INFORMATION CONTAINED IN THIS DRAWING IS THE SOLE PROPERTY OF RAM WINDOWS & DOORS. ANY REPRODUCTION IN PART OR AS A WHOLE WITHOUT THE WRITTEN PERMISSION OF RAM WINDOWS & DOORS IS PROHIBITED.



LEAD TIME		CUSTOMER	
GLASS WARRANTY		PROJECT	
FRAME WARRANTY		CITY	
FINISH WARRANTY		STATE	
U-FACTOR		OUTER GLASS	
SHGC		AIR SPACE	
OA GLASS THICKNESS	1 Inch	INNER GLASS	

UNLESS OTHERWISE SPECIFIED:
DIMENSIONS ARE IN INCHES
TOLERANCES:

FRACTIONAL: ± 1/16
ANGULAR: MACH/BEND: ± 1
TWO PLACE DECIMAL ± 0.01
THREE PLACE DECIMAL ± 0.005

MATERIAL:

DO NOT SCALE DRAWING

DRAWN BY	DATE
CG	11/8/2023
ENG	
MARK	
QTY.	
FINISH	
DP	
SCALE: 1:14	

RAM WINDOWS AND DOORS

TITLE: **RAM S1100**
Single Hung

SIZE	WTS NUMBER	REV

A

SHEET 1 OF 1