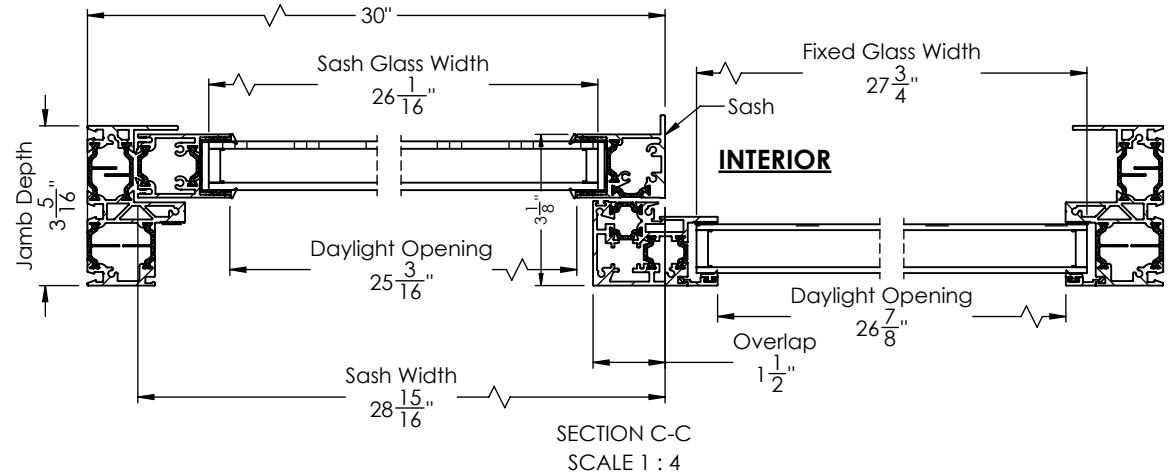
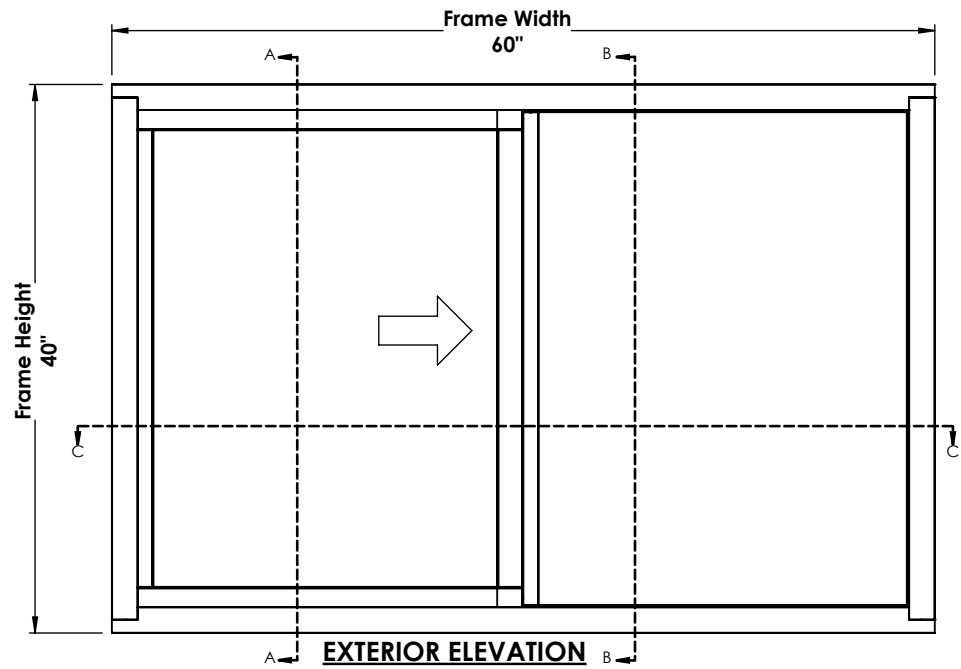
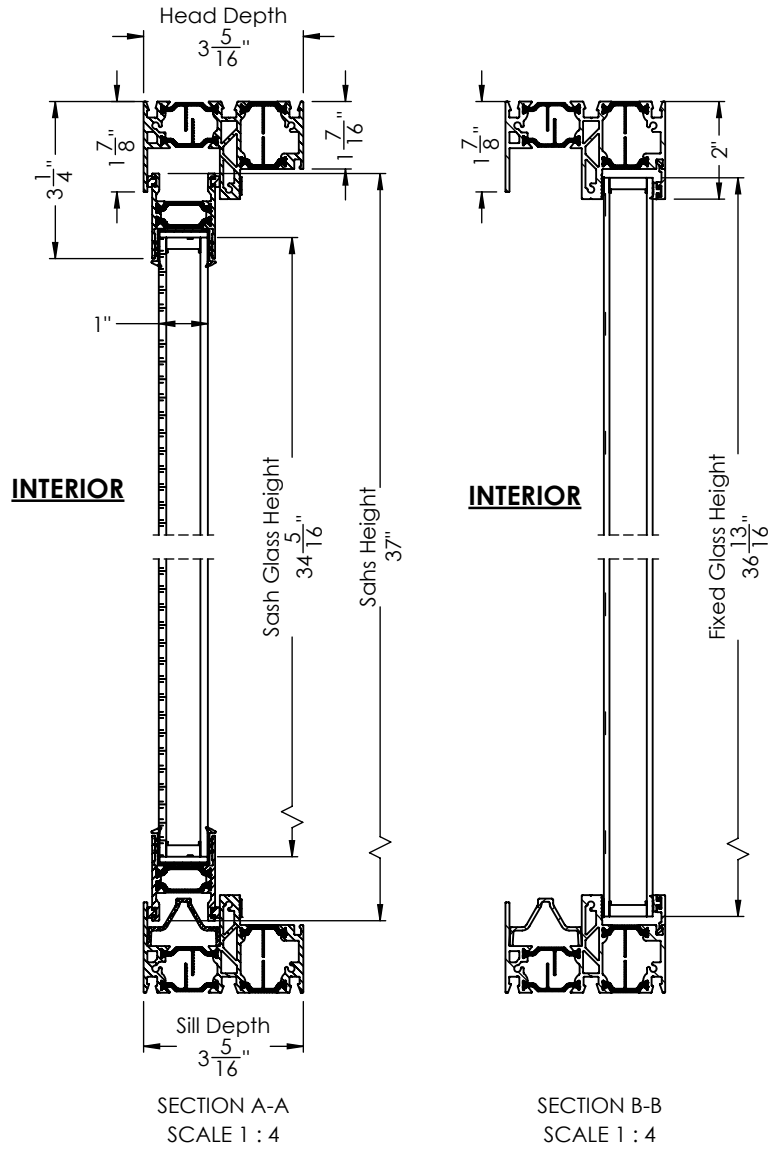


RAM S1200, Horizontal Slider Window

REVISIONS				
ZONE	REV	DESCRIPTION	DATE	APPROVED
	0	Initial Release	11/8/2023	



PROPRIETARY AND CONFIDENTIAL

THE INFORMATION CONTAINED IN THIS DRAWING IS THE SOLE PROPERTY OF RAM WINDOWS & DOORS. ANY REPRODUCTION IN PART OR AS A WHOLE WITHOUT THE WRITTEN PERMISSION OF RAM WINDOWS & DOORS IS PROHIBITED.



LEAD TIME		CUSTOMER		UNLESS OTHERWISE SPECIFIED: DIMENSIONS ARE IN INCHES TOLERANCES:	DRAWN BY	DATE
GLASS WARRANTY		PROJECT			CG	11/8/2023
FRAME WARRANTY		CITY		FRACTIONAL: ± 1/16 ANGULAR: MACH/BEND: ± 1 TWO PLACE DECIMAL ± 0.01 THREE PLACE DECIMAL ± 0.005	ENG	
FINISH WARRANTY		STATE			MARK	
U-FACTOR		OUTER GLASS			QTY.	
SHGC		AIR SPACE		MATERIAL:	FINISH	
OA GLASS THICKNESS	1"	INNER GLASS		DO NOT SCALE DRAWING	DP	
					SCALE: 1:14	

RAM WINDOWS AND DOORS		
TITLE: RAM S1200 HORIZONTAL SLIDER		
SIZE	WTS NUMBER	REV
A		
		SHEET 1 OF 6