

Effortless
sliding motion with...

QUADZilla[®]

Award winning rolling hardware

Precision bearings
for reduced rolling
resistance

1300lbs panel
weight capacity



Durable CNC machined
stainless steel wheels-
also available in
polymer

Manually adjustable
under load



**ANTHONY
INNOVATIONS**
Moving Doors And Windows Forward

To discuss your requirements contact:

E: QUADZilla@anthonygroup.net | www.anthonyinnovations.com

QUADZilla[®] is a registered trademark of Anthony Innovations Pty Ltd.

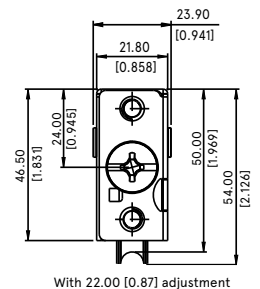
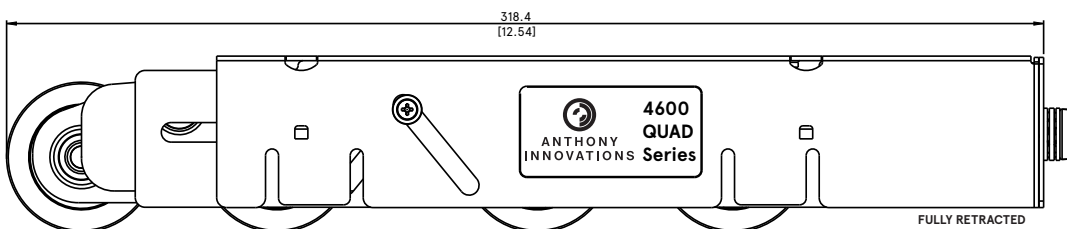
Move larger panels with ease

Features and Benefits:

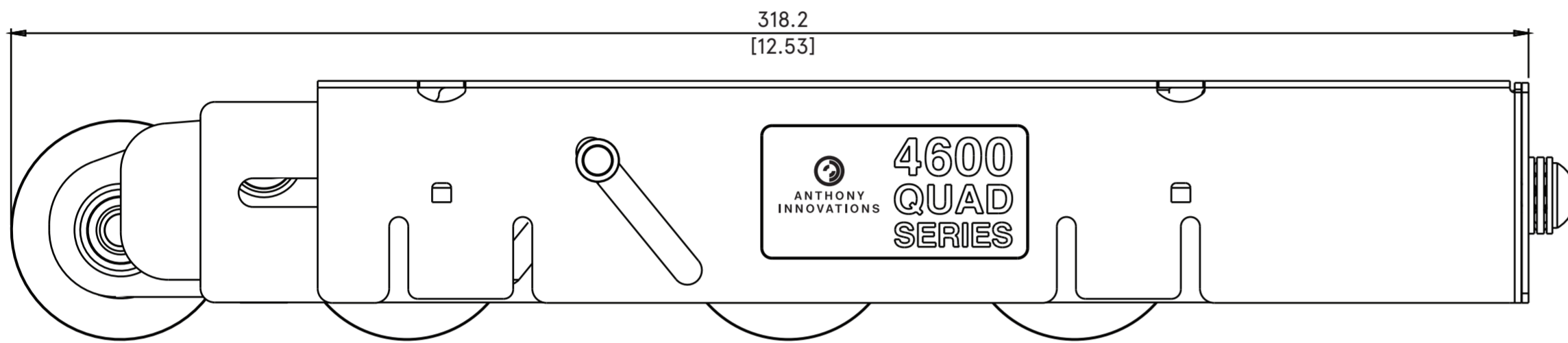
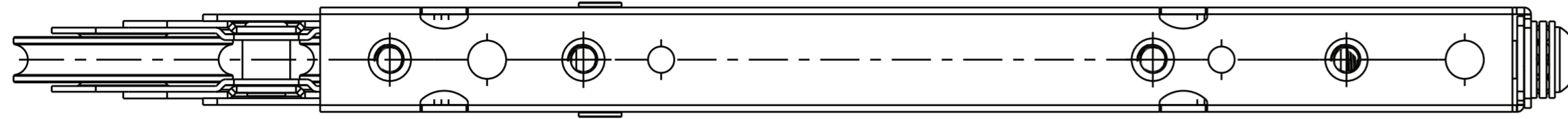
- AAMA 906-15 certified for 650lb, making QUADZilla® ideal for panel weights up to 1300lbs.
- End adjustable under load, making installation and on-site servicing easy and safe.
- Made with pressed metal components, forged rivets and axels to ensure a robust product under large weights.
- CNC precision engineered wheels available in Stainless Steel and Polymer materials.
- Polymer wheels provide reduced track wear whilst ensuring the product retains its performance over time.
- Precision bearing components for reduced noise during panel operation and dual layer bogie carriage design that jointly contributes to smoother system operation.
- Retains structural integrity during and after installations thus reducing installation times and ensuring product durability and longevity.

Designed with functionality in mind:

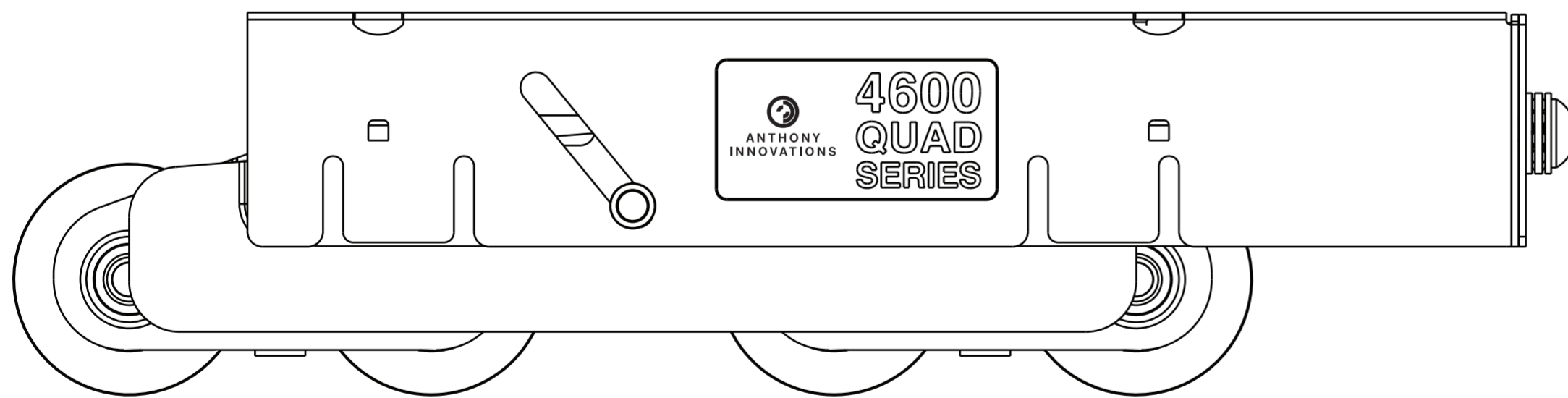
QUADZilla® is designed to fit within the standard 4600 Series rail profile. It makes building larger sliding panels possible, whilst delivering reduced rolling resistance and smoother, quieter operation. AAMA tested for durability and performance with all stainless components, QUADZilla® provides the ultimate performance and corrosion resistance.



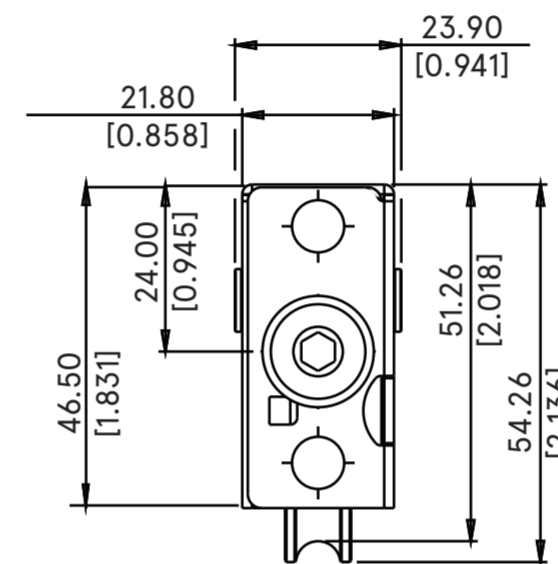
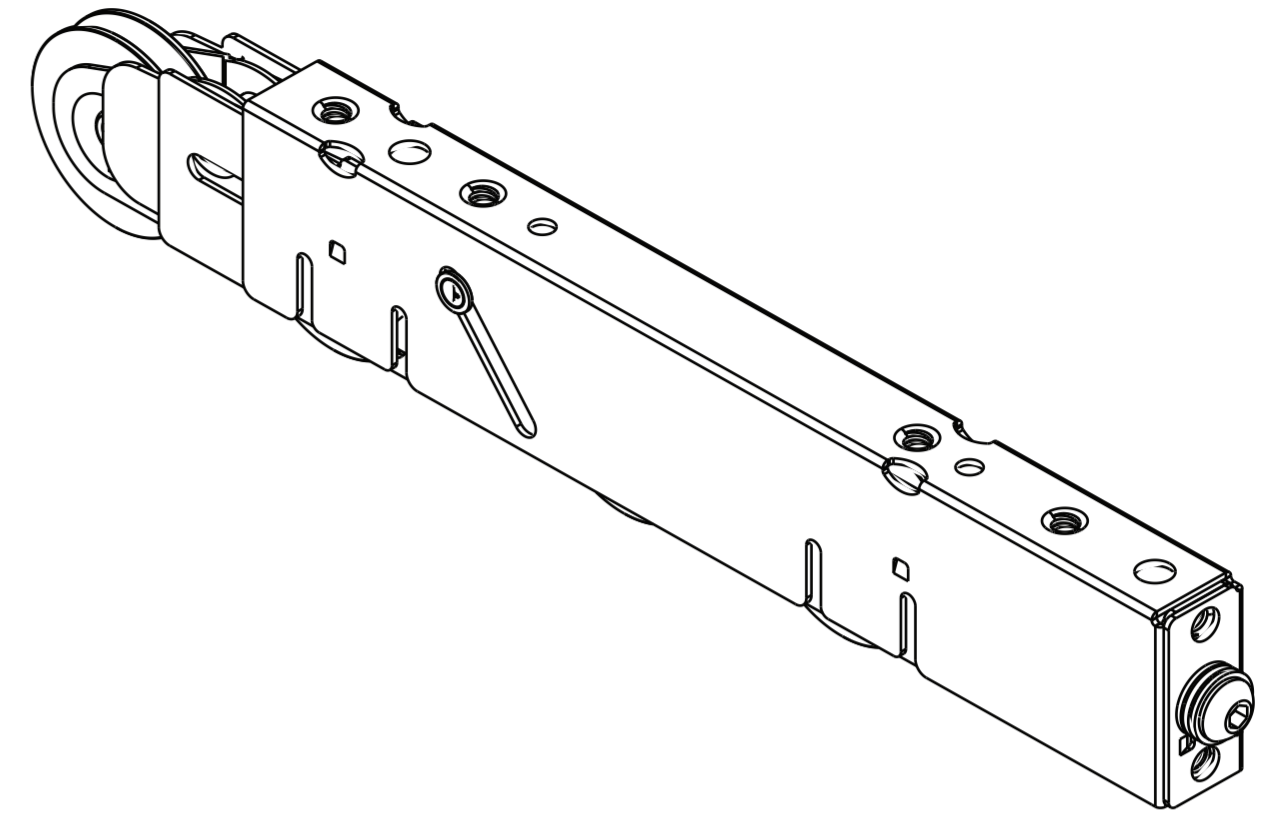
Manufacturer of
Verified Components



FULLY RETRACTED AS SUPPLIED



FULLY EXTENDED



QUADZilla®

For more information and dimensions please contact:
 AUS & NZ - sales@anthonygroup.net
 North America - salesna@anthonygroup.net

The design of this product is property of Anthony Innovations.
 Measurements displayed in centimetres and inches.

