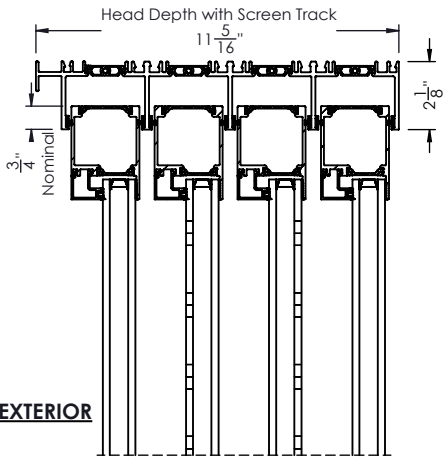


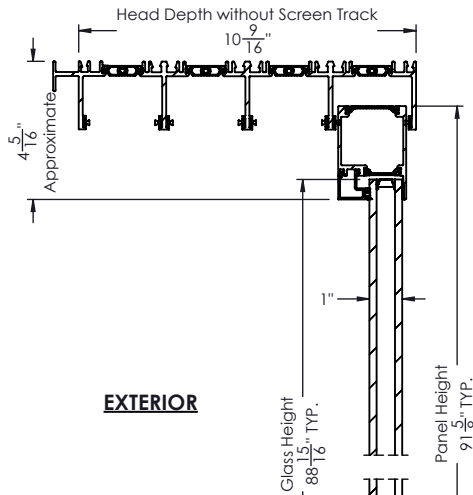
**RAM S3000, XXXO SLIDING DOOR**

ZONE		REV	DESCRIPTION	DATE	APPROVED
		0	Initial Release	10/31/2023	

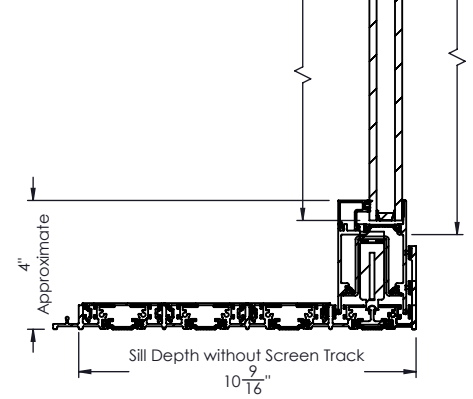
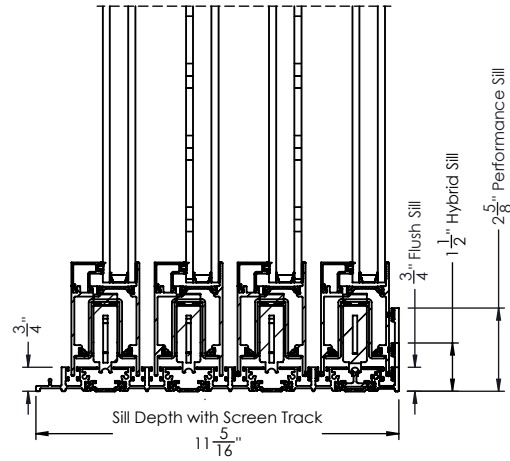
**PANELS STACKED**



EXTERIOR

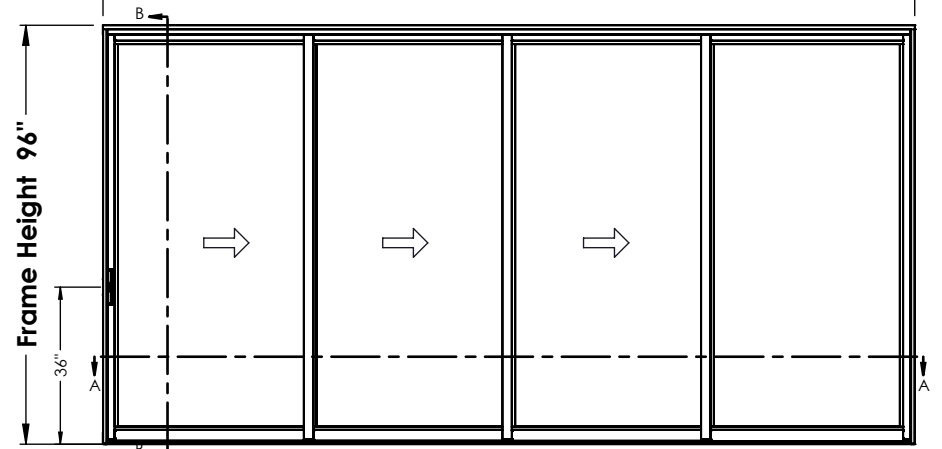


EXTERIOR

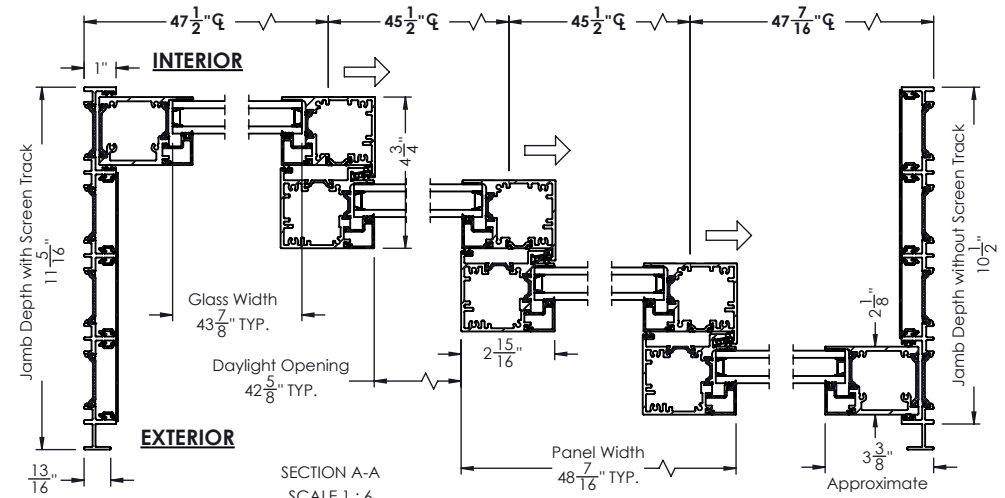


SECTION B-B  
SCALE 1 : 6

Frame Width 186"



EXTERIOR ELEVATION



SECTION A-A  
SCALE 1 : 6

**PROPRIETARY AND CONFIDENTIAL**

THE INFORMATION CONTAINED IN THIS DRAWING IS THE SOLE PROPERTY OF RAM WINDOWS & DOORS. ANY REPRODUCTION IN PART OR AS A WHOLE WITHOUT THE WRITTEN PERMISSION OF RAM WINDOWS & DOORS IS PROHIBITED.



LEAD TIME		CUSTOMER	RAM S3000	UNLESS OTHERWISE SPECIFIED: DIMENSIONS ARE IN INCHES TOLERANCES:  FRACTIONAL: ± 1/16 ANGULAR: MACH/BEND: ± 1 TWO PLACE DECIMAL ± 0.01 THREE PLACE DECIMAL ± 0.005	NAME	DATE
GLASS WARRANTY		PROJECT	XXXO SLIDING DOOR		DRAWN	CG
FRAME WARRANTY		CITY			ENG	10/31/2023
FINISH WARRANTY		STATE			MARK	
U-FACTOR		OUTER GLASS		MATERIAL:		
SHGC		AIR SPACE		DO NOT SCALE DRAWING	FINISH	
OA GLASS THICKNESS	1"	INNER GLASS			DP	
					SCALE: 1:44	

RAM WINDOWS AND DOORS		
TITLE: <b>RAM S3000, XXXO SLIDING DOOR</b>		
SIZE <b>A</b>	WTS NUMBER	REV
	XXXO-Top-Assembly	
	WEIGHT: 940.551	SHEET 1 OF 1