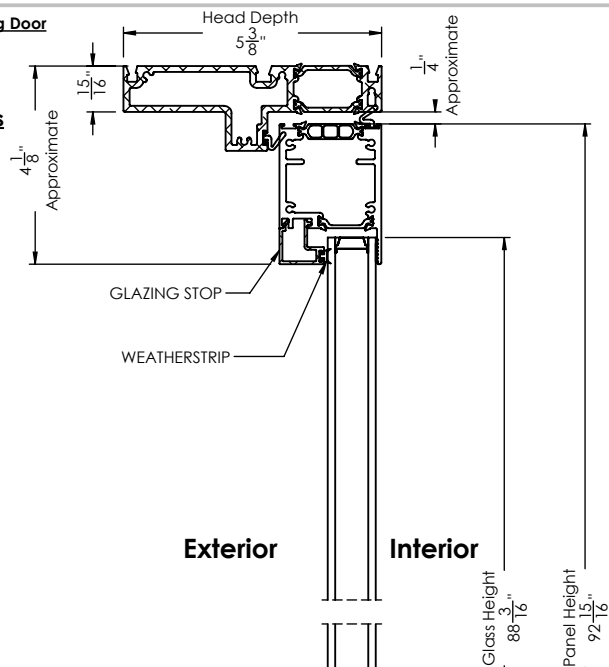
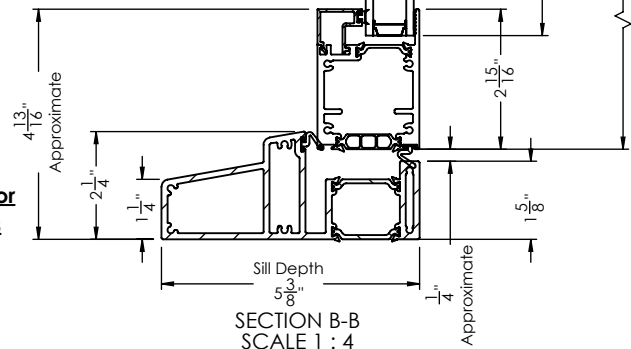


RAM, S3100 Swing Door

Swing Door Head Details

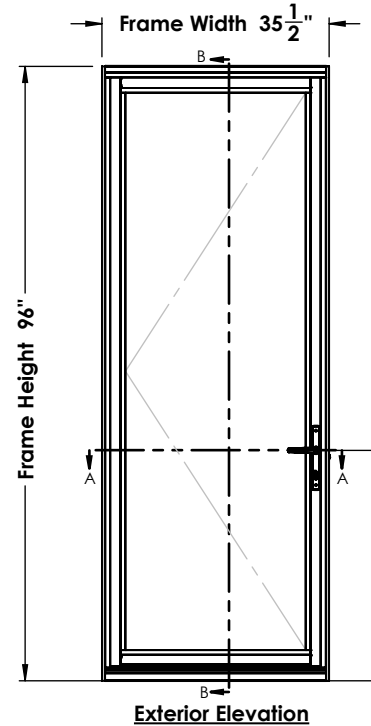


Swing Door Sill Details



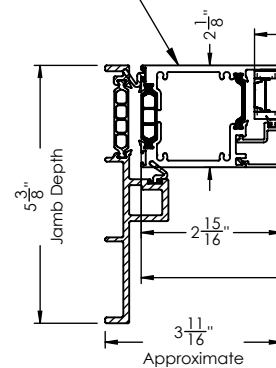
SECTION B-B
SCALE 1 : 4

| ZONE | | REV | DESCRIPTION | DATE | APPROVED |
|------|--|-----|-----------------|-----------|----------|
| | | 0 | Initial Release | 11/1/2023 | |



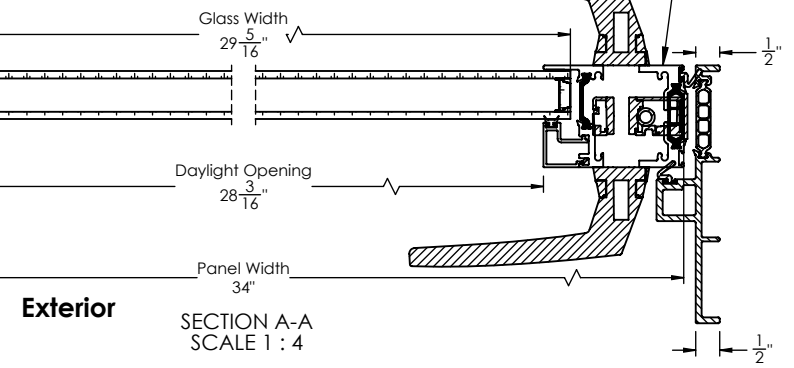
Exterior Elevation

Hinge Stile



Swing Door
Jamb Details

Lock Stile



Swing Door
Jamb Details

SECTION A-A
SCALE 1 : 4

PROPRIETARY AND CONFIDENTIAL

THE INFORMATION CONTAINED IN THIS DRAWING IS THE SOLE PROPERTY OF RAM WINDOWS & DOORS. ANY REPRODUCTION IN PART OR AS A WHOLE WITHOUT THE WRITTEN PERMISSION OF RAM WINDOWS & DOORS IS PROHIBITED.



| | | | |
|--------------------|----|-------------|--|
| LEAD TIME | | CUSTOMER | |
| GLASS WARRANTY | | PROJECT | |
| FRAME WARRANTY | | CITY | |
| FINISH WARRANTY | | STATE | |
| U-FACTOR | | OUTER GLASS | |
| SHGC | | AIR SPACE | |
| OA GLASS THICKNESS | 1" | INNER GLASS | |

UNLESS OTHERWISE SPECIFIED:
DIMENSIONS ARE IN INCHES
TOLERANCES:

FRACTIONAL: ± 1/16
ANGULAR: MACH/BEND: ± 1
TWO PLACE DECIMAL ± 0.01
THREE PLACE DECIMAL ± 0.005

MATERIAL:

DO NOT SCALE DRAWING

| | | | |
|----------|----|-------------|-----------|
| DRAWN BY | CG | DATE | 11/8/2023 |
| ENG | | MARK | |
| QTY. | | FINISH | |
| | | DP | |
| | | SCALE: 1:30 | |

RAM WINDOWS AND DOORS

TITLE:
S3100 SWING DOOR
(INSWING)

| | | |
|------|-------------|--------------|
| SIZE | WTS NUMBER | REV |
| A | WEIGHT: 144 | SHEET 1 OF 4 |