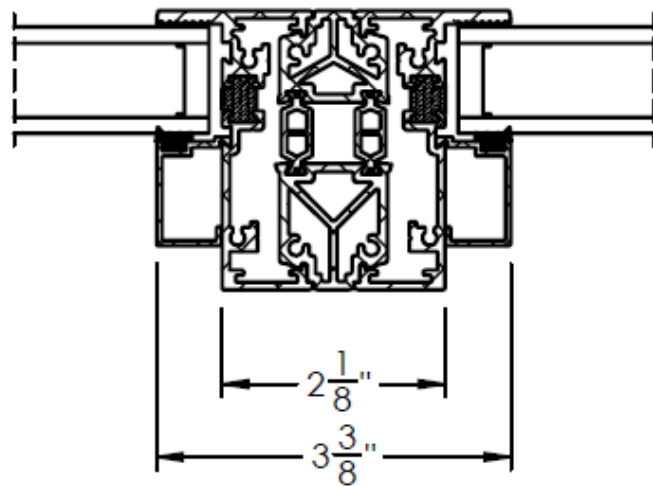
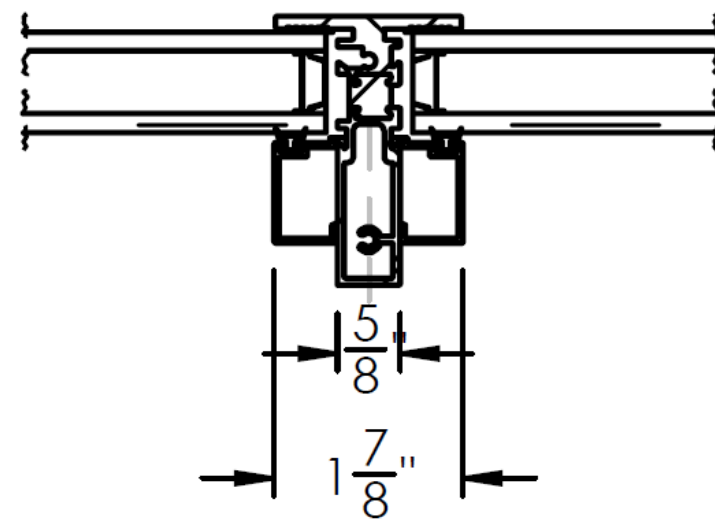


Factory Mull
Tight Mull



Factory Mull
Reinforced Mull



Common Mull