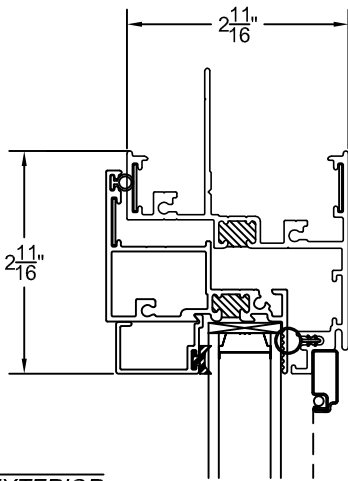
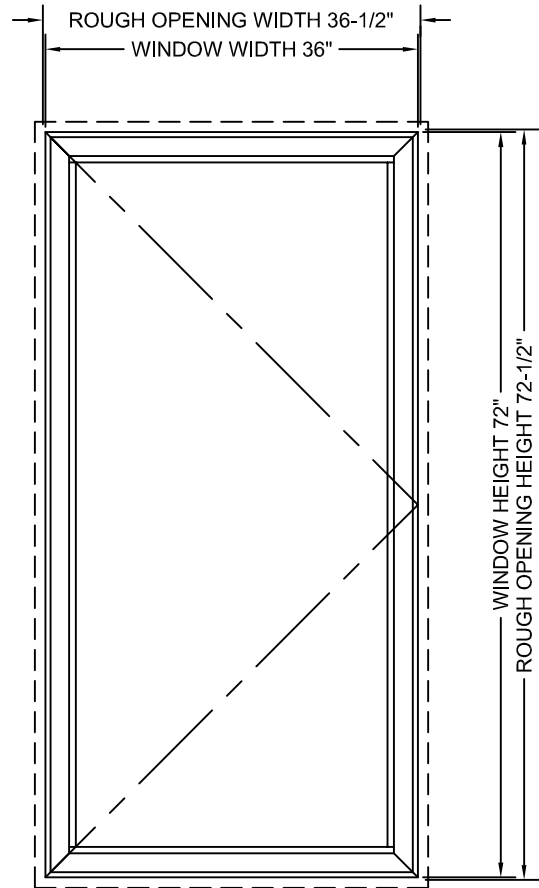
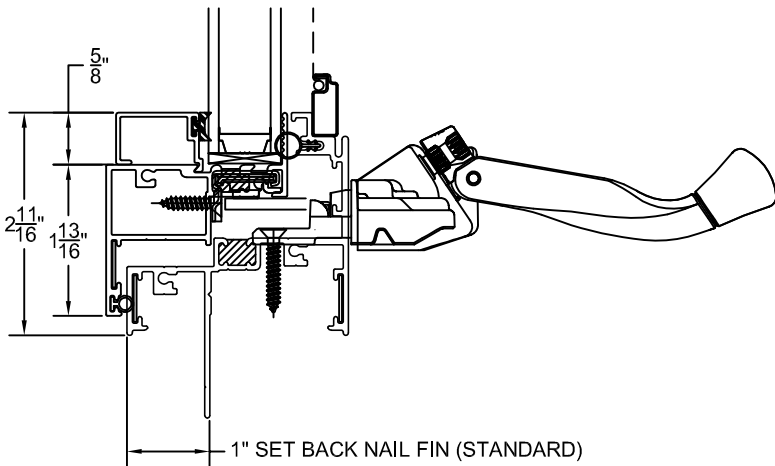


**(A) CASEMENT WINDOW  
HEADER DETAIL**



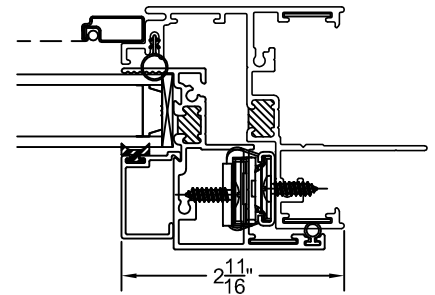
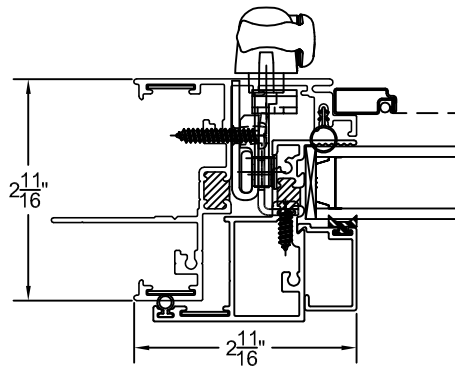
**EXTERIOR**



**(B) CASEMENT WINDOW  
SILL DETAIL**

**(C) CASEMENT WINDOW  
LOCKING JAMB DETAIL**

**CASEMENT WINDOW (D)  
HINGE JAMB DETAIL**



**EXTERIOR**

**EGRESS:**

- MINIMUM OPENING SPACE:  
20 IN. WIDTH / 24 IN. HEIGHT,  
5.7 SQ FT OVERALL
- MINIMUM CASEMENT SIZE:  
27" X 48" OR 36" X 36"
- MAXIMUM HEIGHT ABOVE FINISHES FLOOR:  
44 IN.

**SIZE LIMITATIONS:**

- MINIMUM WIDTH: 18 IN.
- MINIMUM HEIGHT: 18 IN.
- MAXIMUM WIDTH: 36 IN.
- MAXIMUM HEIGHT: 84 IN.

STANDARD TOLERANCES FOR EXTRUDED SHAPES APPLY UNLESS SPECIFICALLY SHOWN OTHERWISE



**RAM INDUSTRIES**

8600 COMMERCE PARK DR.  
HOUSTON, TX 77036  
PH: 281-495-9056  
FX: 281-495-6778

**S900 CASEMENT WINDOW**