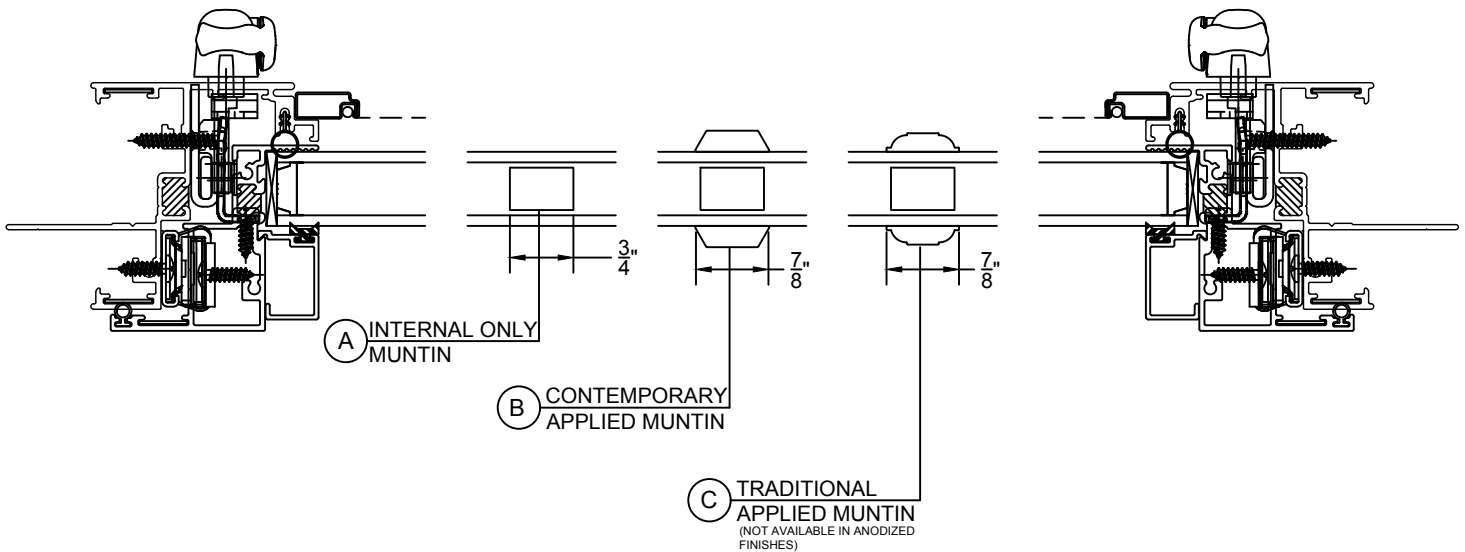
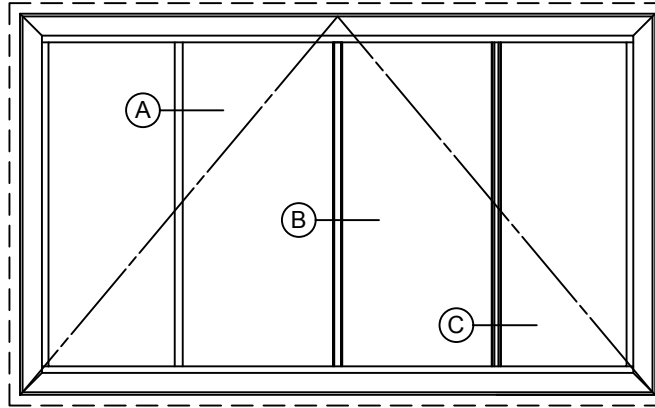


SIMULATED DIVIDED LIGHTS



STANDARD TOLERANCES FOR EXTRUDED SHAPES APPLY UNLESS SPECIFICALLY SHOWN OTHERWISE

RAM INDUSTRIES

8600 COMMERCE PARK DR.
HOUSTON, TX 77036
PH: 281-495-9056
FX: 281-495-6778

**S990 AWNING WINDOW
DIVIDED LIGHT OPTIONS**