

Engineered Solutions. Trusted Results.

## LOCKS

### Positive Action Lock 19.65 Series

The 19.65 series lock is easily unlocked by pressing the top cover down and automatically relocks upon closing the window.



#### product highlights

- Recommended for: aluminum, composite, vinyl, and wood
- Easy to unlock by pushing the top cover down
- Automatically relocks when the window is closed
- Audible click gives feedback when the window is being locked or unlocked
- Improved aesthetics with the low profile 24004.XX snap on cover that conceals the mounting screws

#### Available Colors

##### Blacks



Matte Black

##### Browns



Faux Bronze

**Nickels**



Satin Nickel

**Tans**

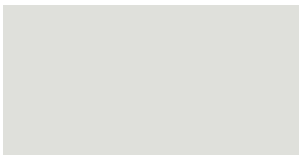


Beige

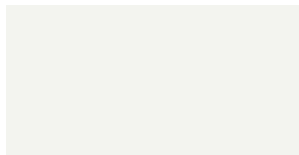


Sahara Beige

**Whites**



32 White



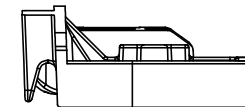
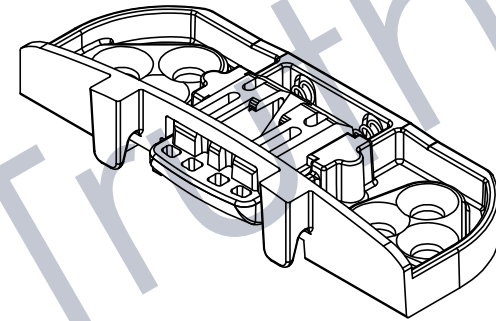
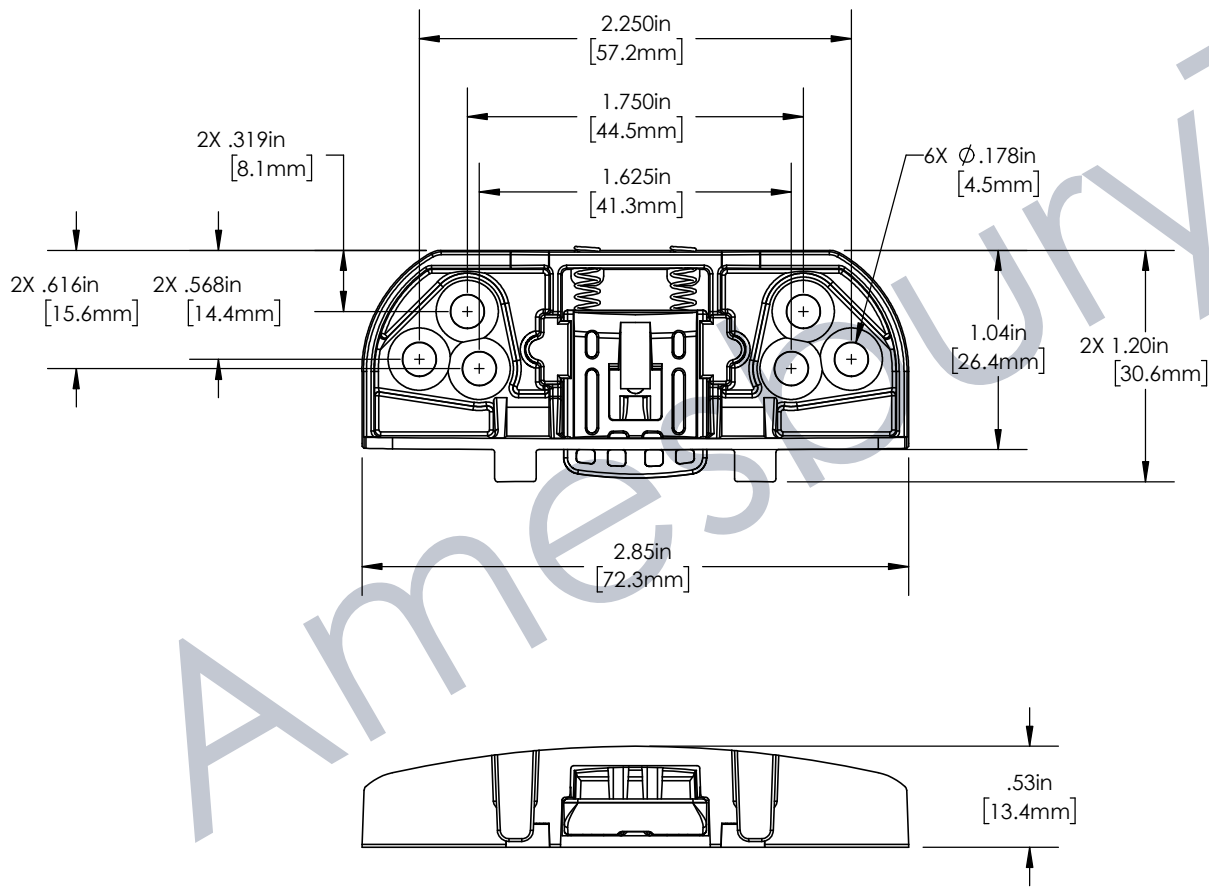
Snow White

## **PRODUCT TIPS**

1. For accurate hardware placement in vinyl applications, pre-drilling of the window profile is strongly recommended.
2. For vinyl window applications, mounting screws should pass through two PVC walls, or one PVC wall and one insert wall. For this reason, it may be necessary to use a longer screw than is recommended.
3. For top mounted keeper configurations, a 0.3" minimum deep surface is needed on the fixed rail with both surfaces flush when closed.

## **ARCHITECT SPECS**

Window lock will be of quick snap action bolt design. The product will be constructed of high-pressure zinc alloy die cast with high strength acetal bolt. Window lock shall have automatic latching to allow user to use both hands to move the sash. Window will be unlocked by pressing the top cover. Window locks will be 19.65 series Positive Action Locks as manufactured by AmesburyTruth.



CUSTOMER PAGE

 **Amesbury Truth**<sup>™</sup>  
 Engineered Solutions. Trusted Results.

THE INFORMATION CONTAINED IN THIS DRAWING IS CONFIDENTIAL AND PROPRIETARY. THIS DRAWING IS NOT TO BE COPIED OR REPRODUCED IN WHOLE OR IN PART WITHOUT EXPRESS WRITTEN PERMISSION.

INTERPRET PER:  
 ASME Y14.5M-2009

UNITS: INCH

THIRD ANGLE  
 PROJECTION



DRAWING TITLE:  
 LOCK ASSEMBLY

SCALE: 1:1

SHEET 1 OF 1

DRAWING #:  
**19.65.XX.001**