

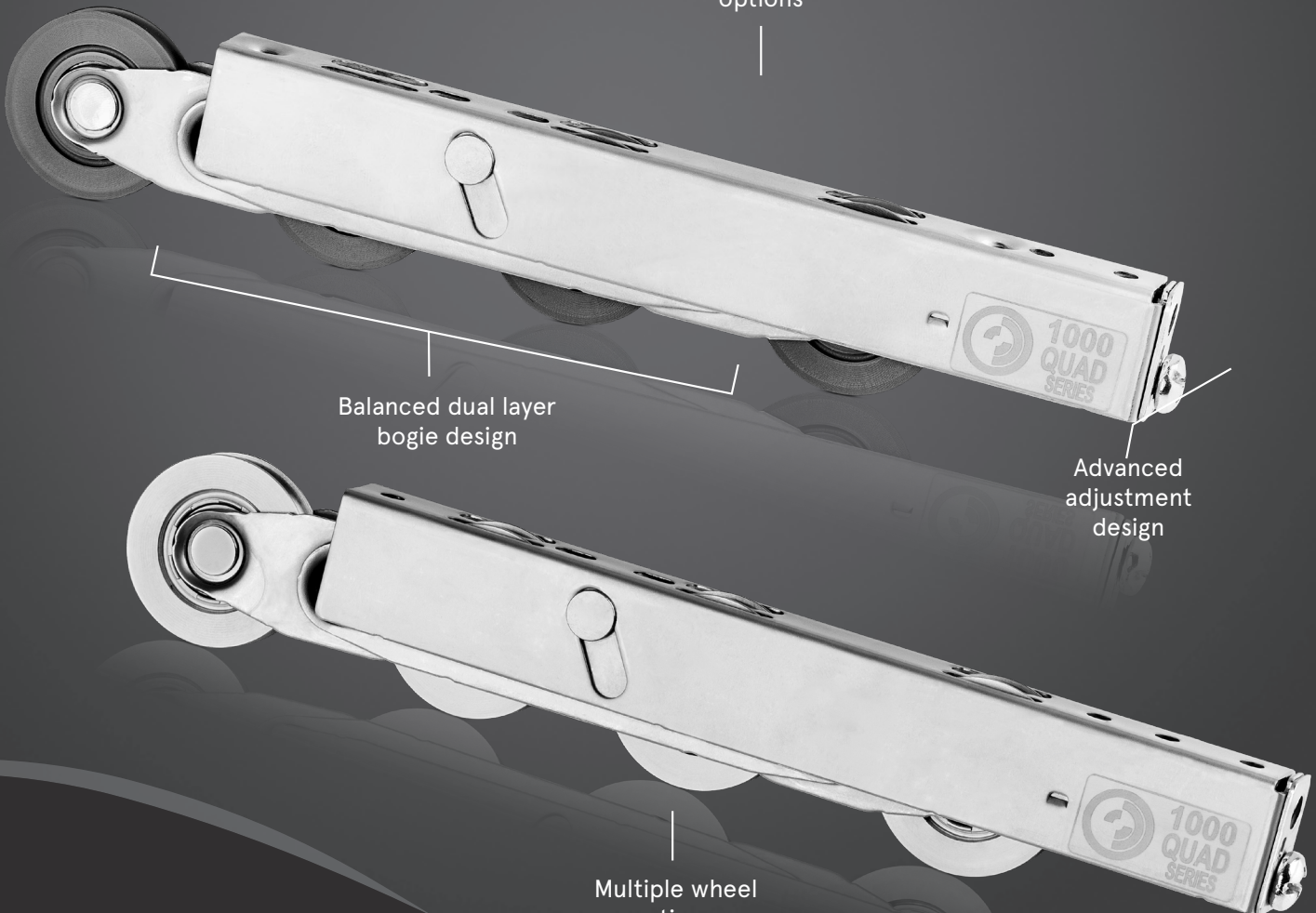
# 1000QUAD Series

Adjustment made easy



Ideal for panels up to 880lbs

Multiple housing options



Balanced dual layer bogie design

Advanced adjustment design

Multiple wheel options



**ANTHONY INNOVATIONS**

Moving Doors And Windows Forward

[www.anthonyinnovations.com](http://www.anthonyinnovations.com)

To discuss your requirements contact us on:

E: [salesna@anthonygroup.net](mailto:salesna@anthonygroup.net)

# Compact, flexible and powerful

## Features and Benefits:

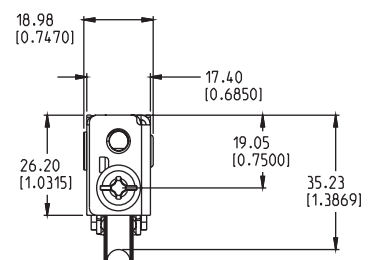
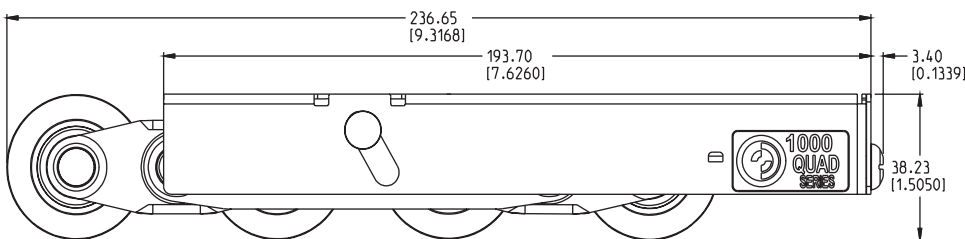
- 880lbs panel (440lbs per roller) load capacity allowing for larger and heavier doors.
- Increased strength through the main housing ensures greater structural integrity.
- Dual layer bogie carriage ensures balanced load distribution which guarantees smooth panel operation and longevity.
- Linear design allowing for easier adjustment.
- Precision bearing components reduce operating force.
- Adjustment Screw designed in system to avoid contact with wheels eliminating the possibility of wheel damage.
- Increased Screw Pitch for greater mechanical advantage and easier adjustment.

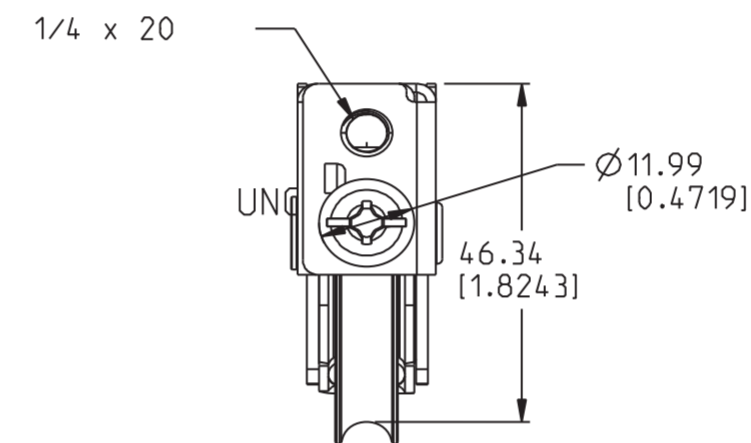
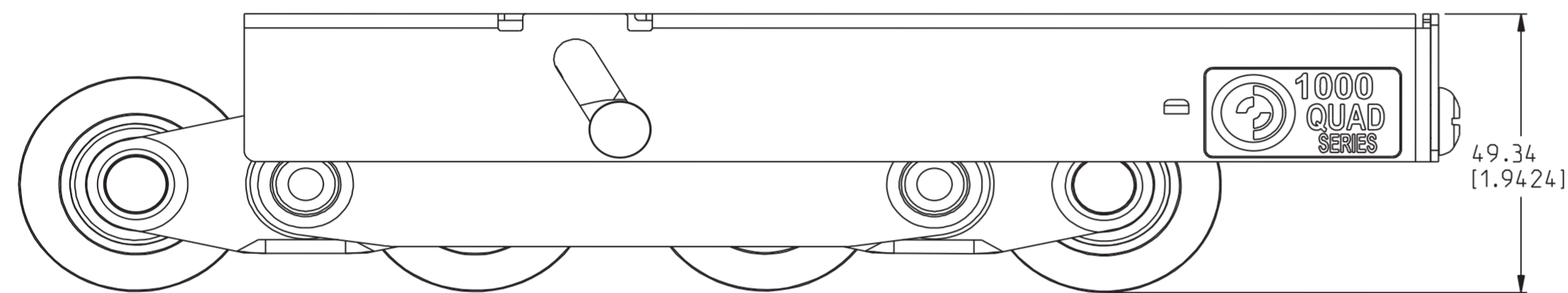
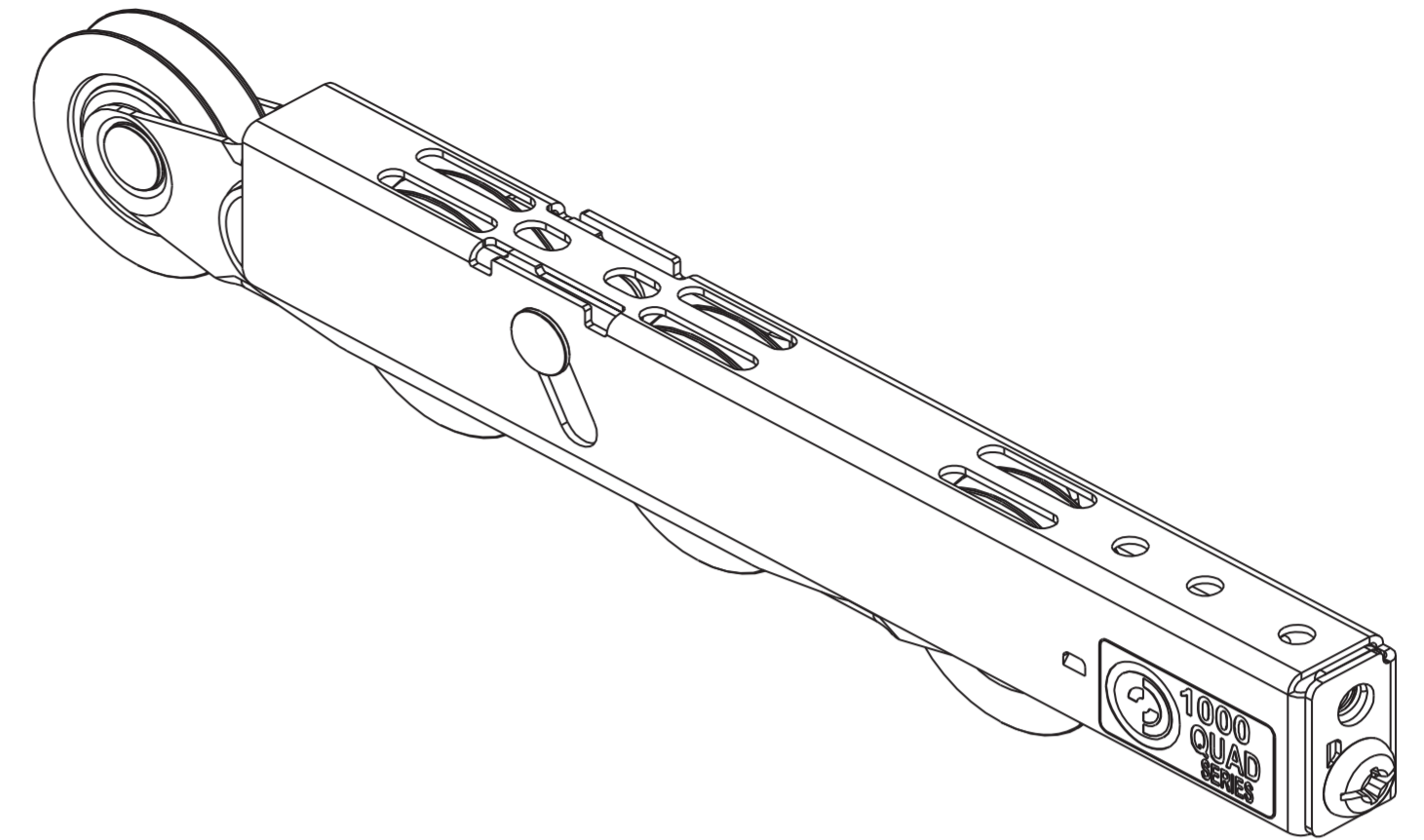
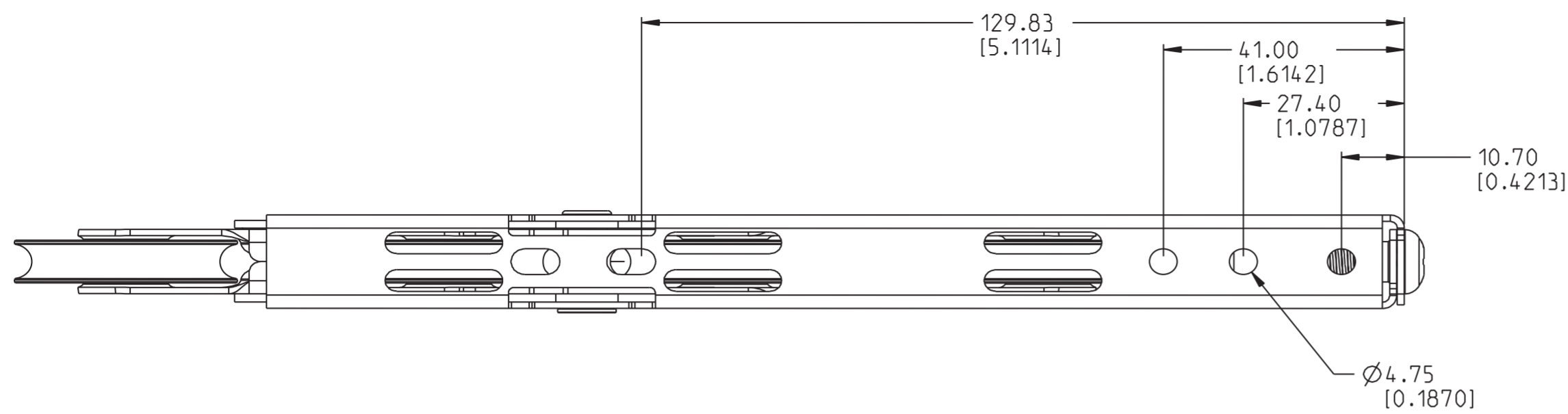
## Product Variations

- 1.5 inch diameter wheel  
– 880 lbs panel (440 lbs per roller).
- 1.25 inch diameter wheel  
– 880 lbs panel (440 lbs per roller).
- **Stainless steel, plated steel** or **polymer** wheel material.
- 0.44 inch adjustment range.
- Multiple housing variants to suit a range of systems.



Manufacturer of  
Verified Components



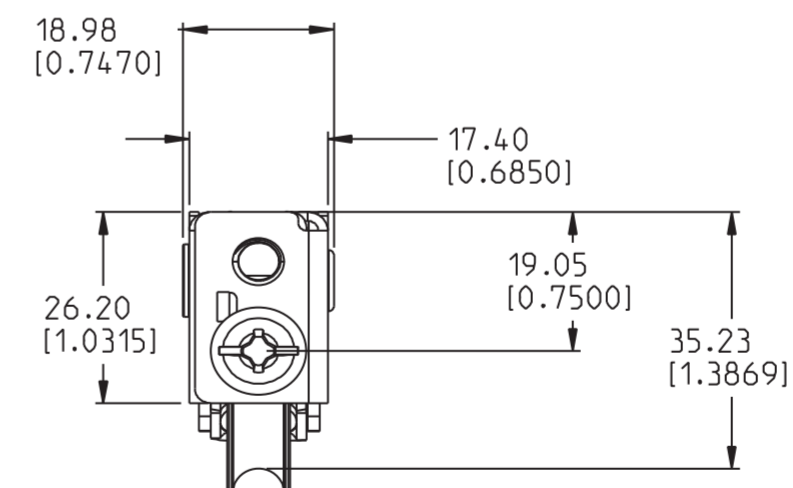
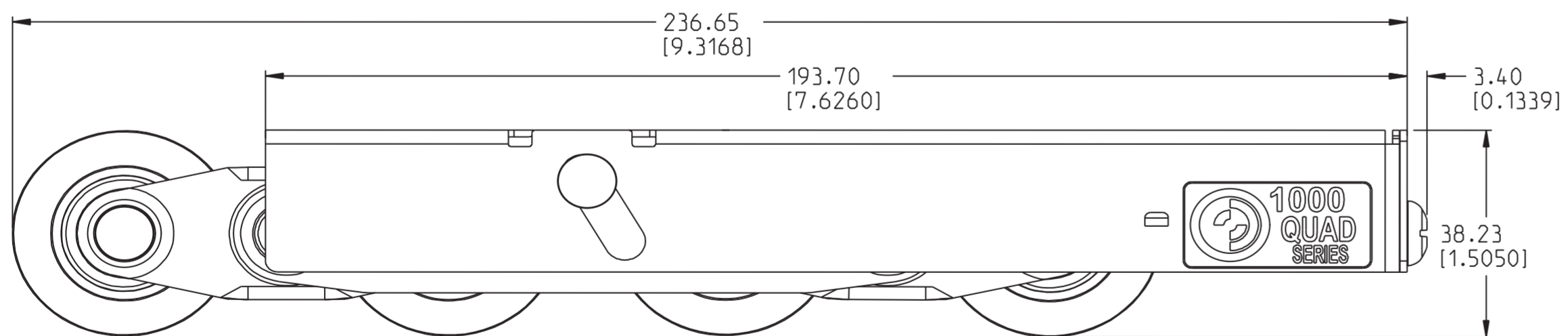


## 1000 QUAD Series

FULLY EXTENDED

For more information and dimensions please contact:  
 AUS & NZ - [sales@anthonygroup.net](mailto:sales@anthonygroup.net)  
 North America - [salesna@anthonygroup.net](mailto:salesna@anthonygroup.net)

The design of this product is property of Anthony Innovations.  
 Measurements displayed in centimetres and inches.



FULLY RETRACTED AS SUPPLIED

