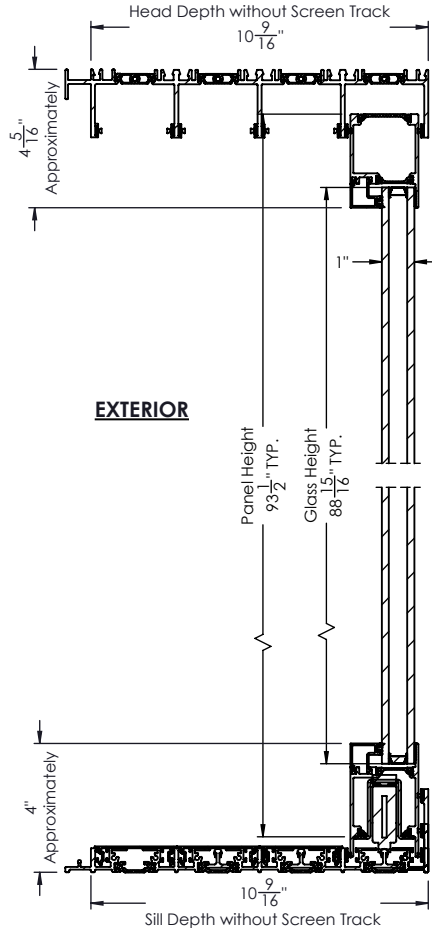
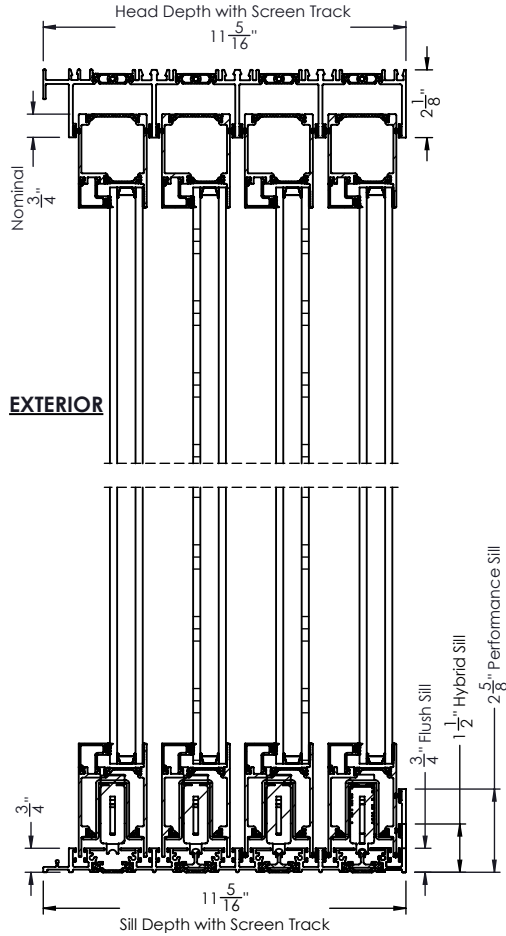


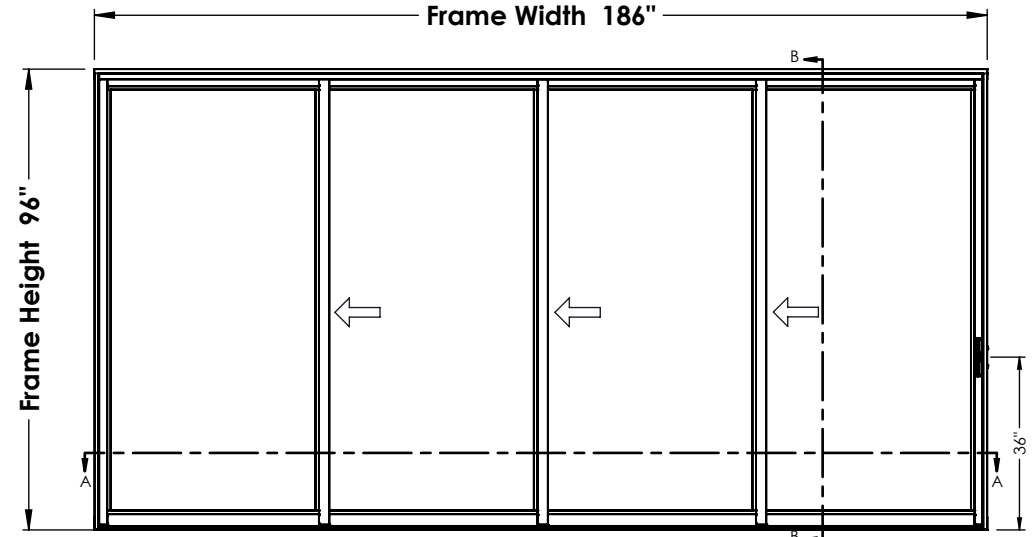
RAM S3000, OXXX SLIDING DOOR

REVISIONS				
ZONE	REV	DESCRIPTION	DATE	APPROVED
	0	Initial Release	10/31/2023	

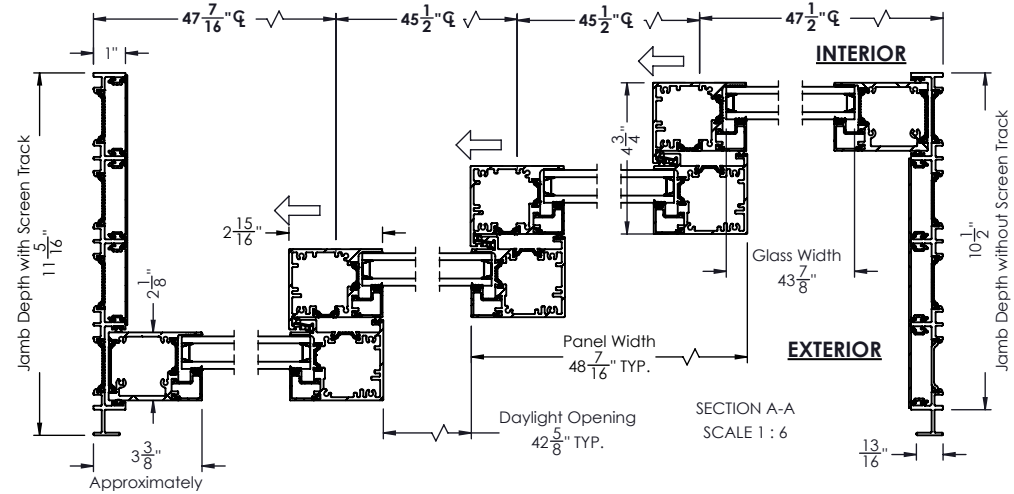
PANELS STACKED



SECTION B-B
SCALE 1 : 6



EXTERIOR ELEVATION



SECTION A-A
SCALE 1 : 6

PROPRIETARY AND CONFIDENTIAL

THE INFORMATION CONTAINED IN THIS DRAWING IS THE SOLE PROPERTY OF RAM WINDOWS & DOORS. ANY REPRODUCTION IN PART OR AS A WHOLE WITHOUT THE WRITTEN PERMISSION OF RAM WINDOWS & DOORS IS PROHIBITED.



LEAD TIME		CUSTOMER	RAM S3000	UNLESS OTHERWISE SPECIFIED: DIMENSIONS ARE IN INCHES TOLERANCES:	NAME	DATE
GLASS WARRANTY		PROJECT	OXXX SLIDING DOOR		DRAWN	CG
FRAME WARRANTY		CITY		FRACTIONAL: $\pm 1/16$	ENG	
FINISH WARRANTY		STATE		ANGULAR: MACH/BEND: ± 1	MARK	
U-FACTOR		OUTER GLASS		TWO PLACE DECIMAL: ± 0.01	QTY.	
SHGC		AIR SPACE		THREE PLACE DECIMAL: ± 0.005	FINISH	
OA GLASS THICKNESS	1"	INNER GLASS		MATERIAL:	DP	
				DO NOT SCALE DRAWING	SCALE: 1:40	

RAM WINDOWS AND DOORS		
TITLE: RAM S3000, OXXX SLIDING DOOR		
SIZE A	WTS NUMBER	REV
	OXXX-Top-Assembly	
	WEIGHT: 945.435	SHEET 1 OF 1