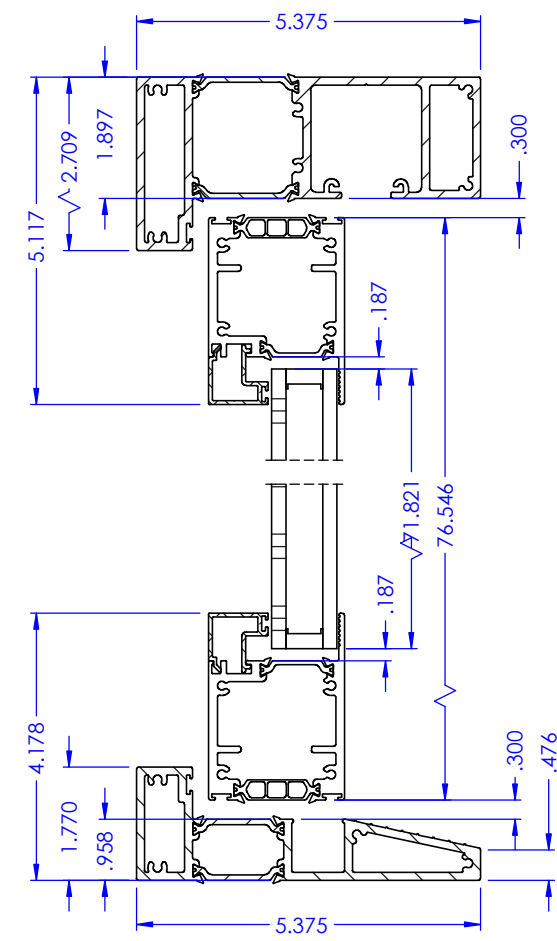
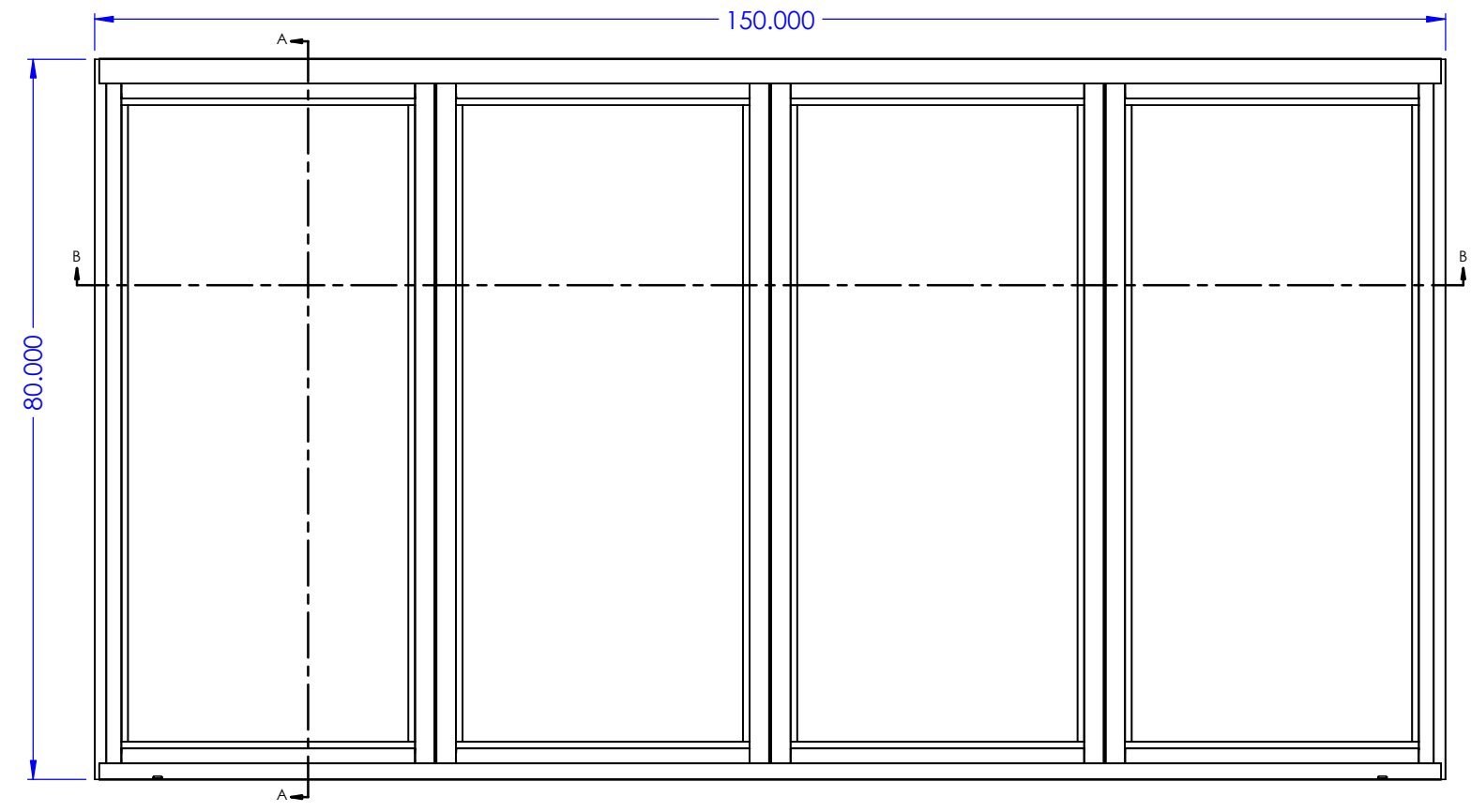
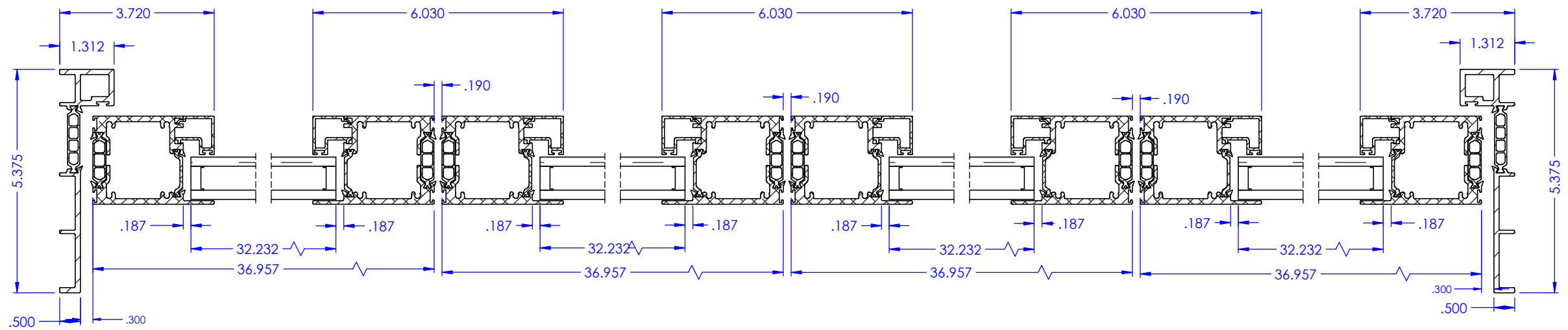


ITEM NO.	Description	Length	QTY.
3	Frame Head	149.000	1
4	Frame Sill	149.000	1
5	Frame Left Jamb	80.000	1
6	Frame Right Jamb	80.000	1
7	BTM Rail	32.990	4
11	Top Rail	32.990	4
15	Panel Stile	76.546	8
23	IG Cardinal 1/4"-LoE366	71.821x32.232	4
27	Glazing Stop	70.706	8
35	Glazing Stop	32.607	8



SECTION A-A  
SCALE 1 : 3



SECTION B-B  
SCALE 1 : 3



PROPRIETARY AND CONFIDENTIAL  
THE INFORMATION CONTAINED IN THIS DRAWING IS THE SOLE PROPERTY OF RAM INDUSTRIES. ANY REPRODUCTION IN PART OR AS A WHOLE WITHOUT THE WRITTEN PERMISSION OF RAM INDUSTRIES IS PROHIBITED.

LEAD TIME	10-12	WEEKS	CUSTOMER	XX
GLASS WARRANTY	2	YRS	PROJECT	XX
FRAME WARRANTY	2	YRS	CITY	XX
FINISH WARRANTY	2	YRS	STATE	XX
U-FACTOR	XX		OUTER GLASS	3/16" CARDINAL 366 Lo-E
SHGC	XX		AIR SPACE	5/8" ARGON
OA GLASS THICKNESS	XX		INNER GLASS	3/16" CLEAR

UNLESS OTHERWISE SPECIFIED:  
DIMENSIONS ARE IN INCHES  
TOLERANCES:  
FRACTIONAL ±  
ANGULAR: MACH ± BEND ±  
TWO PLACE DECIMAL ±  
THREE PLACE DECIMAL ±  
INTERPRET GEOMETRIC TOLERANCING PER:  
MATERIAL  
DO NOT SCALE DRAWING

DRAWN	NAME	DATE
ENG.MGR	CG	7/27/2022
MARK	XX	
QTY.	XX	
FINISH	XX	
DP	XX	

**RAM INDUSTRIES**

TITLE: **Bi-Fold**

SIZE: **B** DWG. NO. **Bifold-4Z-Top Assembly** REV **~**

SCALE: 1:12 WEIGHT: 240935 SHEET 1 OF 1

REV	DESCRIPTION	BY	DATE
-	-	-	-
-	-	-	-