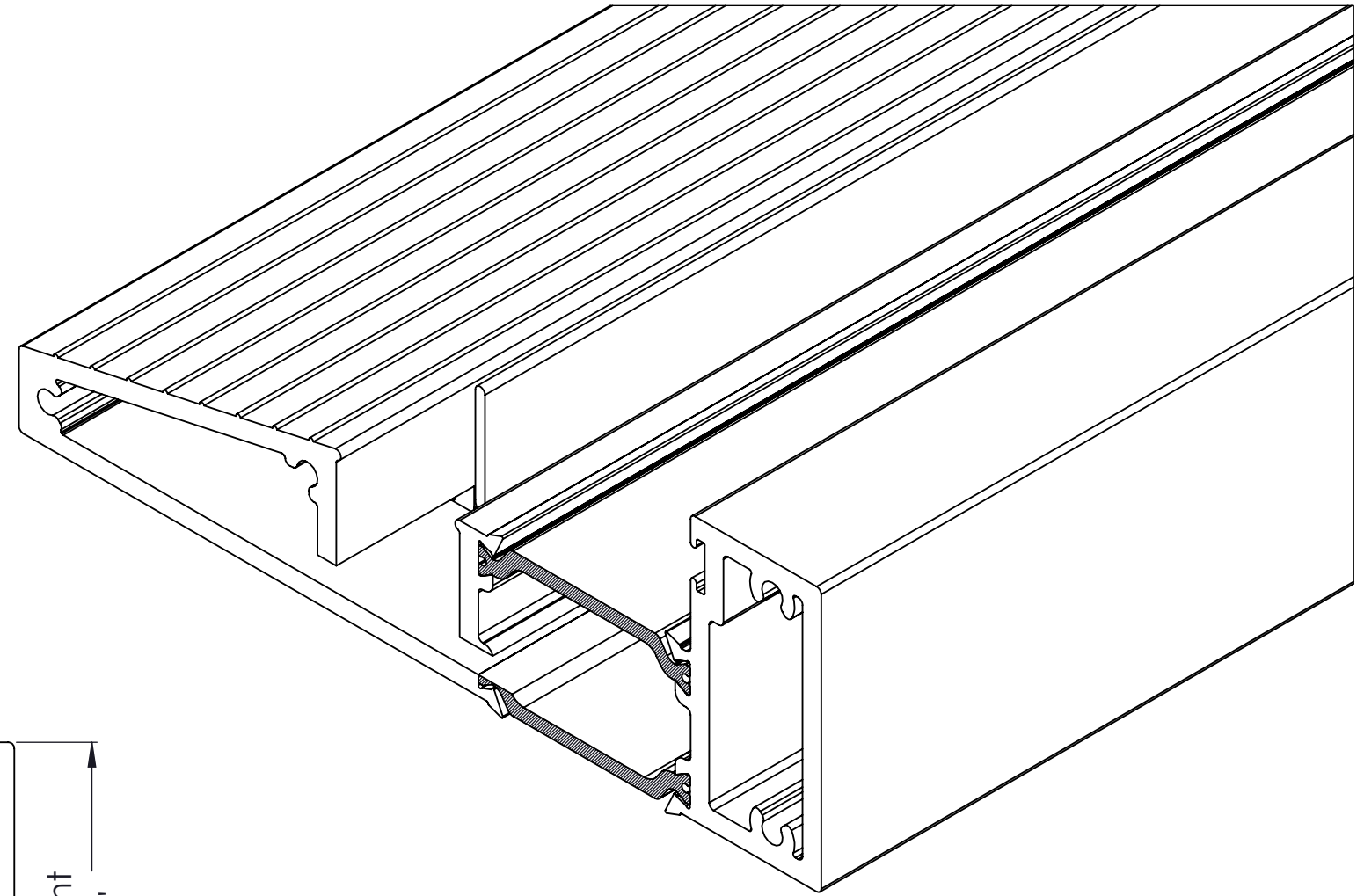
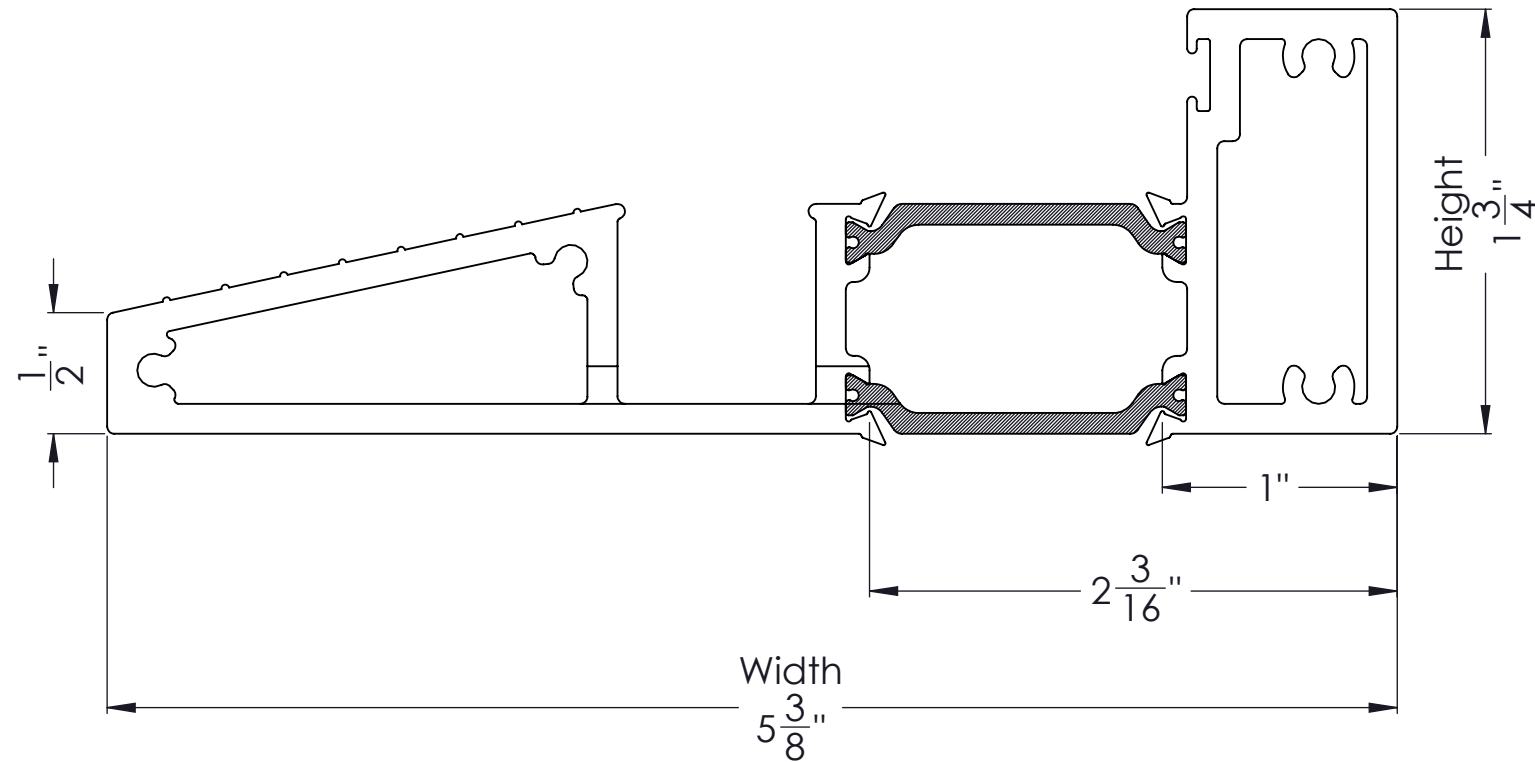


# BI-FOLD, FRAME SILL ASSEMBLY



← Always swings to this direction



PROPRIETARY AND CONFIDENTIAL  
THE INFORMATION CONTAINED IN THIS DRAWING IS THE SOLE PROPERTY OF RAM INDUSTRIES. ANY REPRODUCTION IN PART OR AS A WHOLE WITHOUT THE WRITTEN PERMISSION OF RAM INDUSTRIES IS PROHIBITED.



LEAD TIME	WEEKS	CUSTOMER
GLASS WARRANTY	YRS	PROJECT
FRAME WARRANTY	YRS	CITY
FINISH WARRANTY	YRS	STATE
U-FACTOR		OUTER GLASS
SHGC		AIR SPACE
OA GLASS THICKNESS		INNER GLASS

UNLESS OTHERWISE SPECIFIED:
DIMENSIONS ARE IN INCHES
TOLERANCES:
FRACTIONAL ±
ANGULAR: MACH ± BEND ±
TWO PLACE DECIMAL ±
THREE PLACE DECIMAL ±
INTERPRET GEOMETRIC TOLERANCING PER:
MATERIAL

DRAWN	NAME	DATE
ENG.MGR	CG	10/21/2022
MARK	JSA	
QTY.		
FINISH		
DP		
COMMENTS:		

RAM INDUSTRIES		
TITLE:		
SIZE	DWG. NO.	REV
B	Bi-Fold-Sill (Sales)	~
SCALE: 1:0.8	WEIGHT:	SHEET 1 OF 1

REV	DESCRIPTION	BY	DATE
~	~	~	~
~	~	~	~