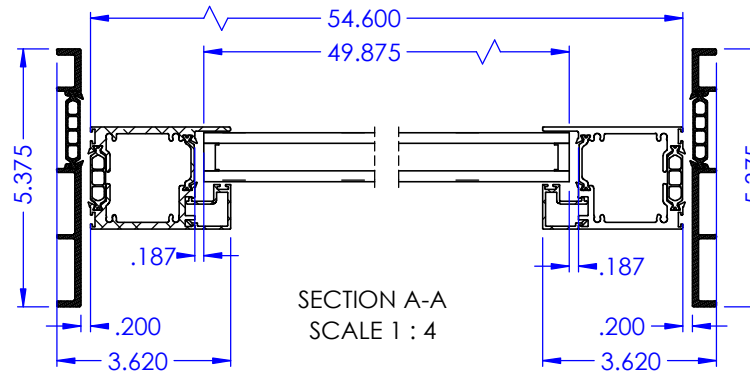
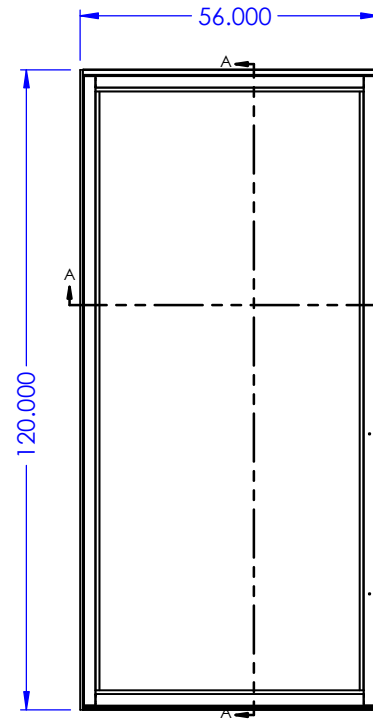


SECTION A-A
SCALE 1 : 4



SECTION A-A
SCALE 1 : 4

DESCRIPTION	Length	QTY.
Head Frame	55.000	1
Sill frame	55.000	1
Right Jamb Frame	120.000	1
Left Jamb Frame	120.000	1
Panel Stile	118.095	1
BTM Rail	50.633	1
Top Rail	50.633	1
Panel Stile	118.095	1
Glazing Stop	112.255	2
Glazing Stop	50.250	2
IG Cardinal 1/4"-LoE366	113.370x49.875	1

DRAWING APPROVAL

APPROVED

APPROVED AS NOTED

REVISE AND RESUBMIT

SIGN _____ DATE _____

Please return one print set marked with your signature, any comments, and notation of approval for fabrication.

REV	DESCRIPTION	BY	DATE

PROPRIETARY AND CONFIDENTIAL

THE INFORMATION CONTAINED IN THIS DRAWING IS THE SOLE PROPERTY OF RAM INDUSTRIES. ANY REPRODUCTION IN PART OR AS A WHOLE WITHOUT THE WRITTEN PERMISSION OF RAM INDUSTRIES IS PROHIBITED.



LEAD TIME	10-12	WEEKS	CUSTOMER	XX
GLASS WARRANTY	2	YEARS	PROJECT	XX
FRAME WARRANTY	2	YEARS	CITY	XX
FINISH WARRANTY	2	YEARS	STATE	XX
U-FACTOR	XX	OUTER GLASS	3/16" CARDINAL 366 Lo-E	
SHGC	XX	AIR SPACE	5/8" ARGON	
OA GLASS THICKNESS	XX	INNER GLASS	3/16" CLEAR	

UNLESS OTHERWISE SPECIFIED:
DIMENSIONS ARE IN INCHES
TOLERANCES:
FRACTIONAL ± 1/16
ANGULAR: MACH/BEND ± .5
TWO PLACE DECIMAL ± .01
THREE PLACE DECIMAL ± .004

MATERIAL
6063-T5 ALUMINUM

DO NOT SCALE DRAWING

NAME	DATE
DRAWN RKh	4/15/2020
MARK	xx
QTY.	xx
FINISH	xx
DP	xx

COMMENTS:

RAM INDUSTRIES

TITLE:
Pivot Door

SIZE	DWG. NO.	REV
A	PID-Frame-Top Assembly	~

SCALE: 1:4 WEIGHT: 306.770 SHEET 1 OF 3