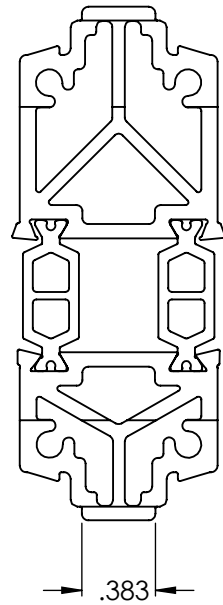
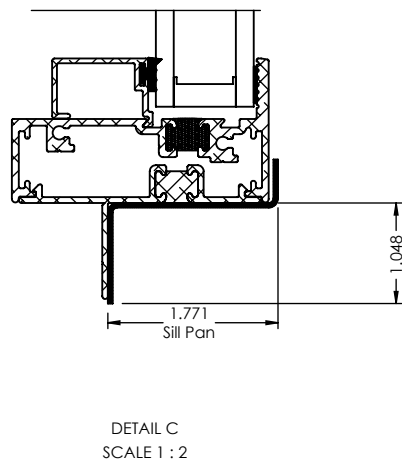
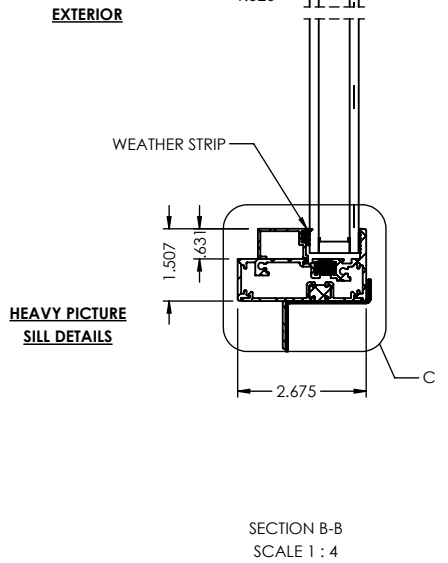
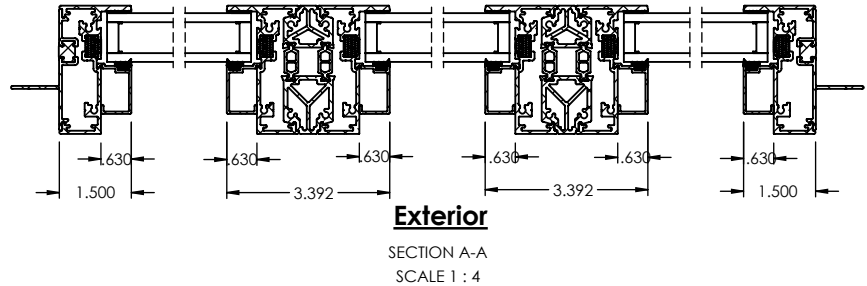
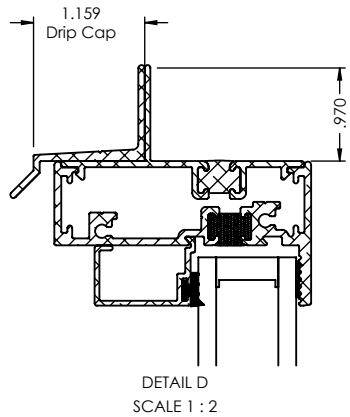
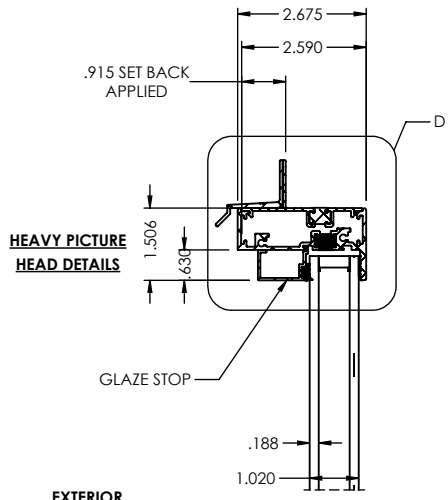


DRAWING APPROVAL

APPROVED
 APPROVED AS NOTED
 REVISE AND RESUBMIT

SIGN _____ DATE _____

Please return one print set marked with your signature, any comments, and notation of approval for fabrication.



REV	DESCRIPTION	BY	DATE

PROPRIETARY AND CONFIDENTIAL

THE INFORMATION CONTAINED IN THIS DRAWING IS THE SOLE PROPERTY OF RAM INDUSTRIES. ANY REPRODUCTION IN PART OR AS A WHOLE WITHOUT THE WRITTEN PERMISSION OF RAM INDUSTRIES IS PROHIBITED.



LEAD TIME	10-12	WEEKS	CUSTOMER	XX
GLASS WARRANTY	2	YEARS	PROJECT	XX
FRAME WARRANTY	2	YEARS	CITY	XX
FINISH WARRANTY	2	YEARS	STATE	XX
U-FACTOR	XX		OUTER GLASS	3/16" CARDINAL 366 Lo-E
SHGC	XX		AIR SPACE	5/8" ARGON
OA GLASS THICKNESS	XX		INNER GLASS	3/16" CLEAR

UNLESS OTHERWISE SPECIFIED:
 DIMENSIONS ARE IN INCHES
 TOLERANCES:
 FRACTIONAL ± 1/16
 ANGULAR: MACH/BEND ± .5
 TWO PLACE DECIMAL ± .01
 THREE PLACE DECIMAL ± .004

MATERIAL
6063-T5 ALUMINUM

DO NOT SCALE DRAWING

NAME	DATE
CG	11/6/19
MARK	XX
QTY.	XX
FINISH	XX
DP	XX
COMMENTS:	

RAM INDUSTRIES

TITLE:
S800-HPW-TR-Top Assembly

SIZE	DWG. NO.	REV
A	S800-HPW-TR-NF-Details	~

SCALE: 1:24 WEIGHT: 318.76g SHEET 1 OF 1