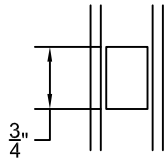
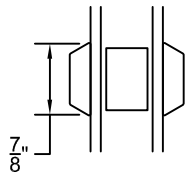


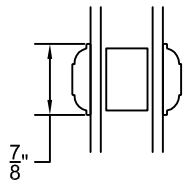
SIMULATED DIVIDED LIGHTS



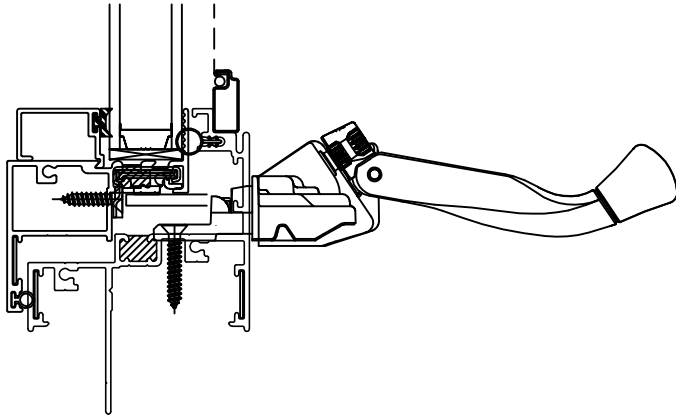
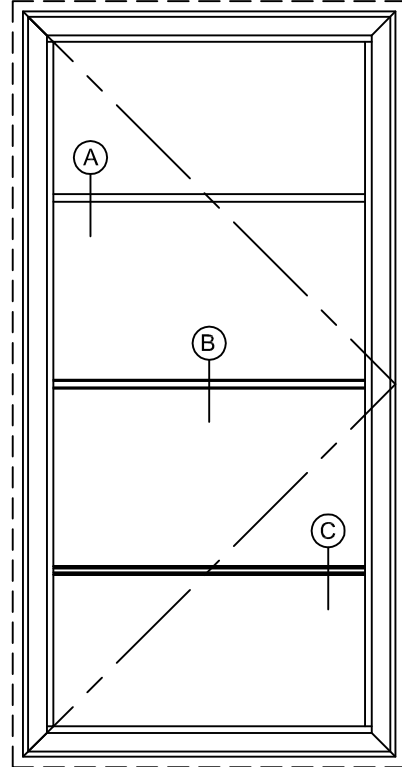
(A) INTERNAL ONLY
MUNTIN



(B) CONTEMPORARY APPLIED
MUNTIN



(C) TRADITIONAL APPLIED
MUNTIN
(NOT AVAILABLE IN ANODIZED
FINISHES)



STANDARD TOLERANCES FOR EXTRUDED SHAPES APPLY UNLESS SPECIFICALLY SHOWN OTHERWISE



RAM INDUSTRIES
8600 COMMERCE PARK DR.
HOUSTON, TX 77036
PH: 281-495-9056
FX: 281-495-6778

**S900 CASEMENT WINDOW
DIVIDED LIGHT OPTIONS**