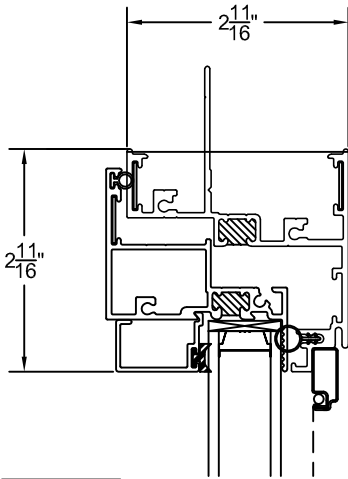
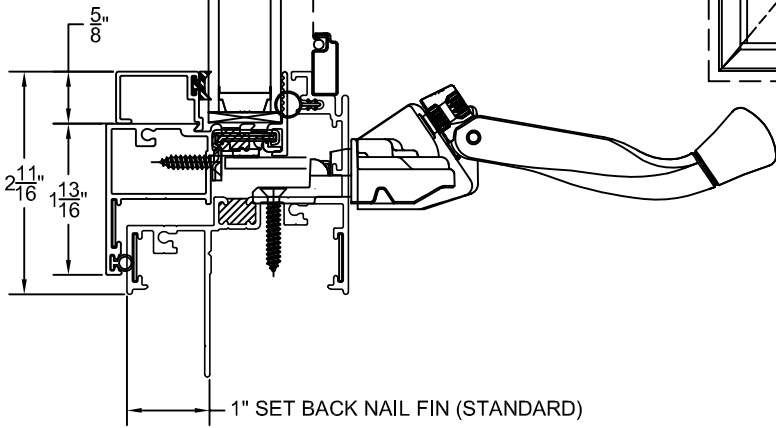


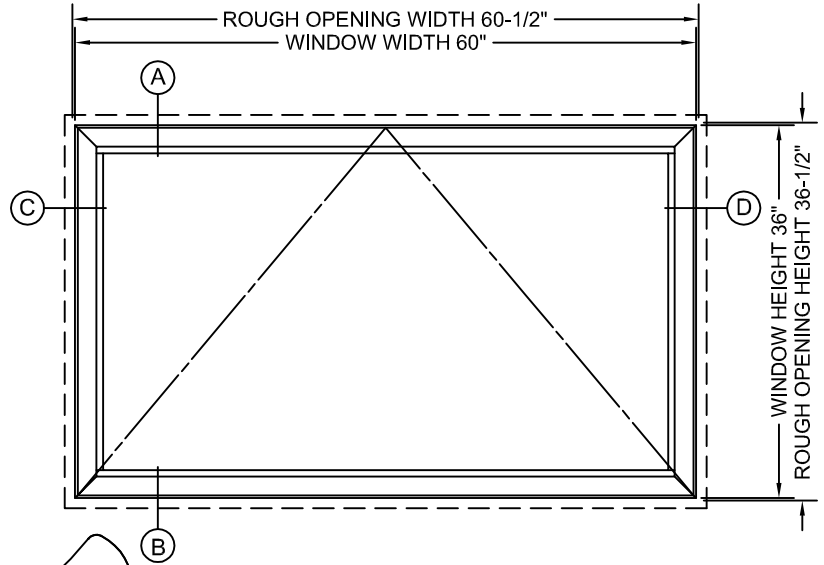
(A) AWNING WINDOW
HEADER DETAIL



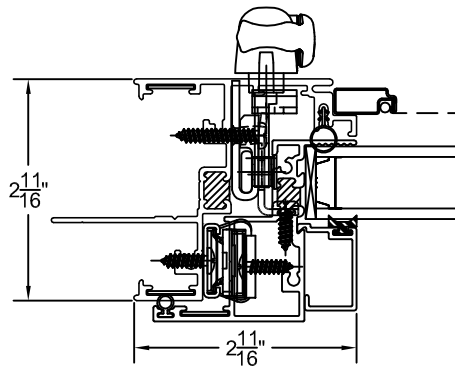
EXTERIOR



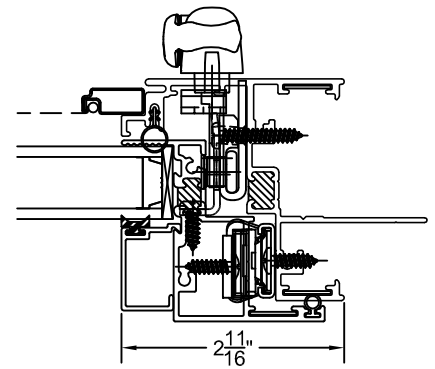
(B) AWNING WINDOW
SILL DETAIL



(C) AWNING WINDOW
LEFT JAMB DETAIL



AWNING WINDOW
LEFT JAMB DETAIL **(D)**



EXTERIOR

EGRESS:
- DOES NOT MEET EGRESS

- SIZE LIMITATIONS:
- MINIMUM WIDTH: 18 IN.
 - MINIMUM HEIGHT: 12 IN.
 - MAXIMUM WIDTH: 72 IN.
 - MAXIMUM HEIGHT: 72 IN.
 - MAXIMUM SIZE: 108 U.I. OVERALL

STANDARD TOLERANCES FOR EXTRUDED SHAPES APPLY UNLESS SPECIFICALLY SHOWN OTHERWISE



RAM INDUSTRIES

8600 COMMERCE PARK DR.
HOUSTON, TX 77036
PH: 281-495-9056
FX: 281-495-6778

S990 AWNING WINDOW